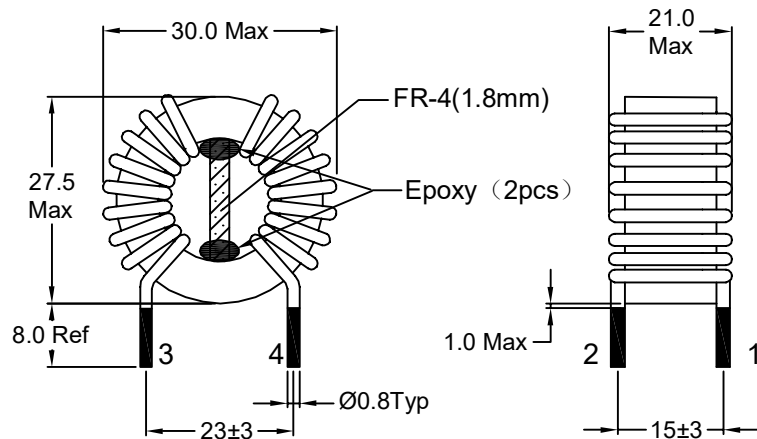
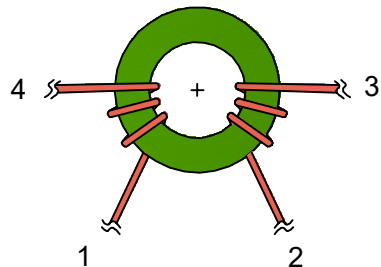


Outline Dimensions(Unit:mm)

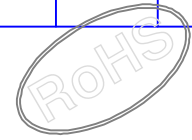
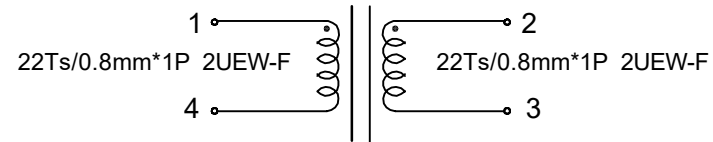


Winding Construction:



REV	DESCRIPTION	APPD	DATE

Electronical Schematic



Electrical Characteristics

Inductance: $L=1-4&2-3= 5.0 \text{ mH}\pm 30\%$, at 10KHz 0.1V.
 Rated current: 6.0Amps .
 D.C.Resistance: $R1-4&2-3= 45 \text{ m}\Omega \text{ Max}$.
 Hi-Pot : Coil-Coil 1500VAC/5mA/60Seconds
 Turns Ratio: 1 : 1 $\pm 2\%$
 Core: T25*15*15C-H7K(FAC02001).
 Wire: 2UEW-F/155°C.
 Spacer: 14.5*16*2.0mm/FR-4.
 Epoxy: E-500.

No.286 RenMin East Road,Renheji Town,Tianchang city,Anhui province,China
 TEL: :+86-550-7814888/7811988 FAX:+86-550-7831133
 www.fuantronics.net

TOLERANCE	LEVEL	天长市富安电子有限公司 Tianchang Fuan Electronic Co.,Ltd			
X.	—	DWN:	Winnie.xiao	TITLE: Common Mode Choke	
.X	± 0.50	CHKD:	Anson.zhan	FuAn P/N: FACM25-502Y6R0	
.XX	± 0.25	APPD:	Louis.Lin	UNITS	SHEET
.XXX	—			mm	1/1
CUSTOMER P/N: MCT25*15*15C-502NU				REV.	DATE
				1.0	May./09/2016