

6

5

4

3

2

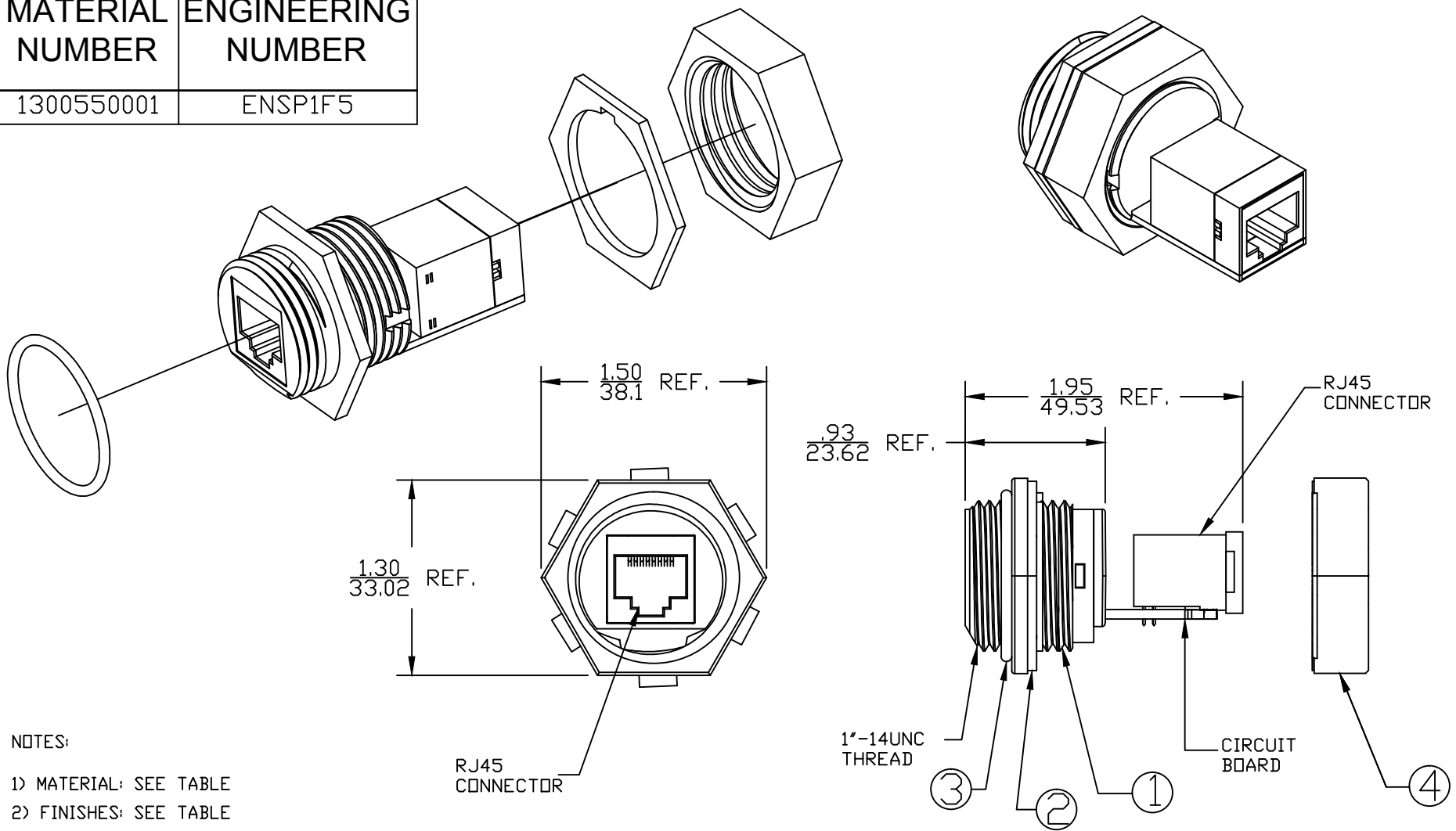
1

MATERIAL NUMBER

ENGINEERING NUMBER

1300550001

ENSP1F5



NOTES:

- 1) MATERIAL: SEE TABLE
- 2) FINISHES: SEE TABLE
- 3) ELECTRICAL DATA:
VOLTAGE RATING: 125V DC
CURRENT RATING: 1.5A
- 4) ENVIRONMENTAL:
PROTECTION IP67
OPERATING TEMPERATURE RANGE: -20C TO 80C

*THIS DOCUMENT SUPERSEDES SD-130055-017

ITEM	QTY.	DESCRIPTION	MATERIAL	FINISH
4	1	LOCK NUT	LNP, AF-1002BK8-115	BLACK
3	1	O-RING	VITON	BROWN
2	1	GASKET	NITRILE	BLACK
1	1	RECEPTACLE HOUSING	SABIC ABS FR15U	BLACK

RELEASE	EC NO: IPC2016-1458
DESCRIPTION	DRWN: MZIELINS 2016/04/26
REV	CHKD: VOU 2016/05/01
	APPR: BWOODMAN 2016/05/09

QUALITY SYMBOLS	▽=0
	∇=0

GENERAL TOLERANCES (UNLESS SPECIFIED)	
	INCH
4 PLACES	±---
3 PLACES	±.005
2 PLACES	±0.13 ±.010
1 PLACE	±0.25 ±.020
ANGULAR ±1/2°	
DRAFT WHERE APPLICABLE MUST REMAIN WITHIN DIMENSIONS	

DIMENSION STYLE	
IN/MM	
DRAWN BY	DATE
MZIELINS	2016/04/26
CHECKED BY	DATE
VOU	2016/05/01
APPROVED BY	DATE
BWOODMAN	2016/05/09
MATERIAL NO.	
SIZE	A

SCALE	DESIGN UNITS	THIRD ANGLE PROJECTION
1:1	INCH	☉
TITLE		
ETHERNET PASS THRU RJ45 RJ45 FEMALE RECEPTACLE SHIELDED PASS THRU		
MOLEX INCORPORATED		
DOCUMENT NO.		SHEET NO.
SD-130055-017		1 OF 1
THIS DRAWING CONTAINS INFORMATION THAT IS PROPRIETARY TO MOLEX INCORPORATED AND SHOULD NOT BE USED WITHOUT WRITTEN PERMISSION		

6

5

4

3

2

1

A

A

B

B

C

C

D

D

E

E