

## SURFACE-MOUNT POWER WOUND CHIP INDUCTORS

# FASPI-0603 SERIES

### 0603S,0603T

#### FEATURES:

- Current up to 1.34A
- High Frequency design
- Heat Resistant Molded Resin
- Excellent Mechanical Strength
- Excellent Solderability
- Low Profile, Low cost
- Low DCR

#### OPTIONS:

- Packaging:Tape \$ Reel is standard (Qty:2000pcs.)  
Bulk packaging Available for Smaller Quantities
- Tolerance:K=10%,M=20% is Standard,Tighter Tolerances Available

#### COMMON APPLCATIONS:

- Power supply for VTRs .
- OA equipment.
- LCD televisions.
- Notebook PCs.
- Portable communication equipment.
- DC/DC converters,etc.

### ELECTRICAL CHARACTERISTICS:

Part Number	L (μH)	Tol %	Q Min	DCR Ω Max	IDC Max A	Test Freq kHz
FASPI-0603T-1R0K	1.0	± 10	35	0.072	1.34	100
FASPI-0603T-1R5K	1.5	± 10	35	0.084	1.22	100
FASPI-0603T-2R2K	2.2	± 10	35	0.108	1.08	100
FASPI-0603T-3R3K	3.3	± 10	35	0.134	0.97	100
FASPI-0603T-4R7K	4.7	± 10	40	0.160	0.91	100
FASPI-0603T-6R8K	6.8	± 10	40	0.197	0.79	100
FASPI-0603T-100K	10.0	± 10	40	0.330	0.63	100
FASPI-0603T-120K	12.0	± 10	40	0.350	0.59	100
FASPI-0603T-150K	15.0	± 10	40	0.400	0.56	100
FASPI-0603T-180K	18.0	± 10	40	0.450	0.51	100
FASPI-0603T-220K	22.0	± 10	40	0.534	0.47	100
FASPI-0603T-270K	27.0	± 10	40	0.618	0.43	100
FASPI-0603T-330K	33.0	± 10	50	0.903	0.37	100
FASPI-0603T-390K	39.0	± 10	50	1.010	0.4	100
FASPI-0603T-470K	47.0	± 10	50	1.355	0.29	100
FASPI-0603T-560K	56.0	± 10	50	1.515	0.28	100
FASPI-0603T-680K	68.0	± 10	50	1.713	0.26	100
FASPI-0603T-820K	82.0	± 10	50	2.312	0.22	100
FASPI-0603T-101K	100.0	± 10	50	2.640	0.21	100
FASPI-0603T-121K	120.0	± 10	50	3.502	0.19	100
FASPI-0603T-151K	150.0	± 10	50	4.132	0.17	100
FASPI-0603T-181K	180.0	± 10	50	4.534	0.16	100
FASPI-0603T-221K	220.0	± 10	50	6.646	0.13	100
FAFASPI-0603T-271K	270.0	± 10	50	7.523	0.12	100
FASPI-0603S-101M	100	± 20	30	0.65	32.0mA	100
FASPI-0603S-151M	150	± 20	35	0.80	28.0mA	100
FASPI-0603S-221M	220	± 20	35	1.10	22.0mA	100
FASPI-0603S-331M	330	± 20	35	1.30	16.0mA	100
FASPI-0603S-471M	470	± 20	35	1.90	14.0mA	100
FASPI-0603S-681M	680	± 20	35	2.50	11.0mA	100
FASPI-0603S-102M	1000	± 20	35	3.10	9.0mA	100
FASPI-0603S-152M	1500	± 20	35	5.30	8.0mA	100
FASPI-0603S-222M	2200	± 20	35	8.40	7.0mA	100
FASPI-0603S-332M	3300	± 20	35	10.10	5.0mA	100
FASPI-0603S-472M	4700	± 20	35	13.0	4.0mA	100

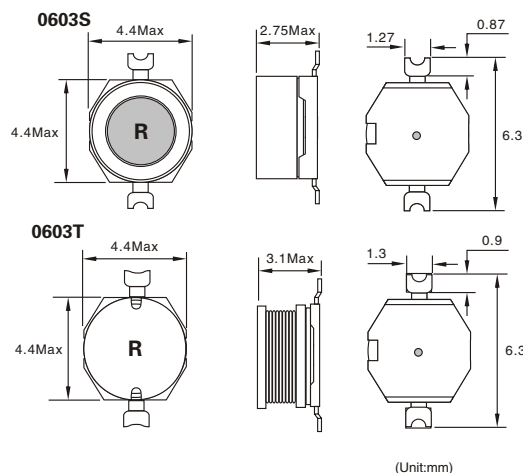
Note: 1. K= ± 10%,M= ± 20%,N= ± 30%

### TECHNICAL INFORMATION:

- Testing: (Equivalent acceptable)  
Inductance:HP4284A  
RDC:QuadTech 1880  
Milliohmmeter -Q- HP4342A - SRF-HP4191A
  - IDC Max:Determined when superimposed  
DC current is decreased 10% against its initial value
  - Operating temperature: -40°C to +105°C
  - Storage Temperature: -40°C to +105°C
  - Solder methods: Vapor Phase,Infrared Reflow
  - Resistance to soldering heat:260°C for 10 seconds
  - Solvent resistance: Conforms to MIL-STD-202E
  - Marking: Inductance & Tolerance
- Note:All specifications subject to change without notice.

### PHYSICAL CHARACTERISTICS:

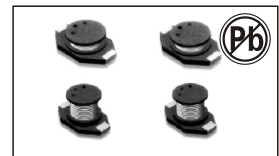
DIMENSIONS IN: mm



## SURFACE-MOUNT POWER INDUCTORS

# FASPI-T SERIES

0402T,0802T,0804T,0810T,1109T,1306T



### FEATURES:

- Very Small Foot Print
- Flat-top for Pick & Place
- Increased Size Selection Guide

### OPTIONS:

- Tape & Reel is Standard Bulk Packaging Available for Smaller Quantities
- Tolerance:20% is Standard
- Custom Design Available

### COMMON APPLICATIONS:

- Ideal for Palm-Top and Laptop DC to DC converters
- PDA's flash memory
- Step-up,step-down Converters

## STANDARD SPECIFICATION:

Part Number	L (μH) ± 20%	DCR (Ω) Max						IDC (A) Max					
		FASPI 0402T	FASPI 0802T	FASPI 0804T	FASPI 0810T	FASPI 1109T	FASPI 1306T	FASPI 0402T	FASPI 0802T	FASPI 0804T	FASPI 0810T	FASPI 1109T	FASPI 1306T
1R0	1.0	0.05		0.009			0.011	2.90		9.0			20.00
1R5	1.5	0.05		0.010				2.60		8.0			
2R2	2.2	0.06		0.012			0.014	2.30		7.0			16.00
3R3	3.3	0.07		0.015			0.016	2.00		6.4			14.00
4R7	4.7	0.08		0.018				1.50		5.4			
5R6	5.6			0.025			0.022			5.0			12.00
6R8	6.8	0.11		0.027				1.20		4.6			
100	10	0.14	0.09	0.038	0.033	0.06	0.032	1.10	2.40	3.8	8.00	3.50	10.00
120	12					0.07						3.40	
150	15	0.20	0.12	0.046	0.042	0.08	0.036	0.90	2.00	3.0	7.00	3.10	8.00
180	18					0.09						3.00	
220	22	0.32	0.19	0.085	0.054	0.10	0.047	0.70	1.60	2.6	5.50	2.60	7.00
270	27					0.11						2.40	
330	33	0.44	0.25	0.10	0.08	0.12	0.066	0.58	1.40	2.0	4.00	2.30	5.50
390	39					0.14						2.10	
470	47	0.56	0.32	0.14	0.10	0.17	0.087	0.50	1.00	1.6	3.80	1.95	4.50
560	56					0.19						1.85	
680	68	0.75	0.55	0.20	0.17	0.22	0.13	0.40	0.90	1.4	3.00	1.65	3.50
820	82					0.25						1.50	
101	100	1.10	0.70	0.28	0.22	0.35	0.19	0.31	0.70	1.2	2.50	1.40	3.00
121	120					0.40						1.30	
151	150	1.70	1.00	0.40	0.34	0.47	0.25	0.27	0.60	1.0	2.00	1.20	2.60
181	180					0.63						1.00	
221	220	2.30	1.60	0.61	0.44	0.73	0.38	0.22	0.50	0.8	1.60	0.95	2.40
271	270					0.97						0.90	
331	330	3.30	2.20	1.02	0.70	1.15	0.56	0.18	0.40	0.6	1.20	0.80	1.90
391	390					1.30						0.75	
471	470	4.40	3.30	1.27	0.95	1.48	0.85	0.16	0.30	0.5	1.00	0.65	1.40
561	560					1.90						0.60	
681	680	6.80	4.40	2.02	1.20	2.45	1.2	0.14	0.20	0.4	1.00	0.50	1.20
821	820					2.55						0.48	
102	1000	12.00	7.00	3.00	2.00	3.00	1.8	0.10	0.10	0.3	0.80	0.46	1.00
122	1200					3.50						0.35	

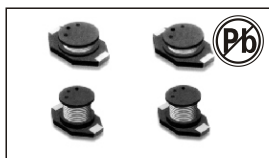
## TECHNICAL INFORMATION:

- measuring Frequency(L):1KHz,0.1Vrms,HP4284A
- Operating Temperature:-40°C to+85°C
- Storage Temperature: -40°C to +105°C
- Solder methods: Vapor Phase,Infrared Reflow
- Resistance to soldering heat:260°C for 10 seconds
- Solvent resistance: Conforms to MIL-STD-202E
- Marking: Inductance & Tolerance

Note: All specifications subject to change without notice.

## PHYSICAL CHARACTERISTICS

Outline drawings  
refer to next Page



## SURFACE-MOUNT POWER INDUCTORS

# FASPI-T SERIES

0402T,0802T,0804T,0810T,1109T,1306T

### FEATURES:

- Very Small Foot Print
- Flat-top for Pick & Place
- Increased Size Selection Guide

### OPTIONS:

- Tape & Reel is Standard
- Bulk Packaging Available for Smaller Quantities
- Tolerance:20% is Standard
- Custom Design Available

### COMMON APPLICATIONS:

- Ideal for Palm-Top and Laptop DC to DC converters
- PDA's flash memory
- Step-up,step-down Converters

### PHYSICAL CHARACTERISTICS Dimensions:(Inch):

Part Numbers	PHYSICAL CHARACTERISTICS
FASPI-1306T-XXX	
FASPI-0402T-XXX	
FASPI-0802T-XXX	
FASPI-0804T-XXX	
FASPI-0810T-XXX	
FASPI-1109T-XXX	

Tolerance:X.XX= ± 0.030.X.XXX= ± 0.010

## SHIELDED SURFACE-MOUNT POWER INDUCTORS

# FASPI-S SERIES

0402,0802,0804,1306



### FEATURES:

- Current up to 8A
- Very Small Foot Print
- Flat-top for Pick & Place

### OPTIONS:

- Tape & Reel is Standard  
Bulk Packaging Available for Smaller Quantities
- Tolerance: 10% and 20% is Standard
- Custom Design Available

### COMMON APPLICATIONS:

- Ideal for Palm-Top and Laptop DC-DC Converters
- PDA's Flash Memory
- Step-up, Step-down Converters

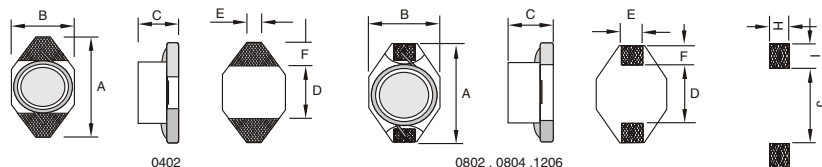
## ELECTRICAL CHARACTERISTICS:

Part Number	L (μH) ± 20%	DCR (Ω) Max				IDC (A) Max			
		FASPI 0402S	FASPI 0802S	FASPI 0804S	FASPI 1306S	FASPI 0402S	FASPI 0802S	FASPI 0804S	FASPI 1206S
1R0	1.0	0.040		0.021		3.0		5.0	
1R5	1.5	0.045	0.038	0.022		2.8	4.00	4.5	
2R2	2.2	0.050	0.045	0.032		1.8	3.50	3.8	
3R3	3.3	0.055	0.062	0.039		1.6	3.00	3.3	
4R7	4.7	0.060	0.78	0.054		1.4	2.50	2.7	
6R8	6.8	0.065	0.10	0.075		1.2	2.20	2.2	
100	10	0.075	0.145	0.101	0.040	1.0	2.00	2.0	3.9
150	15	0.090	0.20	0.150	0.048	0.80	1.50	1.5	3.4
220	22	0.11	0.30	0.207	0.059	0.70	1.30	1.3	3.1
330	33	0.19	0.45	0.334	0.075	0.60	1.10	1.1	2.8
470	47	0.23	0.65	0.472	0.097	0.50	0.80	0.80	2.4
680	68	0.29	0.80		0.138	0.40	0.70		2.0
101	100	0.48	1.40		0.207	0.30	0.60		1.7
151	150	0.59	1.80		0.293	0.26	0.50		1.3
221	220	0.90	2.20		0.470	0.22	0.40		1.1
331	330	1.40	3.60		0.780	0.20	0.30		0.86
471	470	1.80	5.10		1.08	0.19	0.20		0.73
681	680	2.20			1.40	0.18			0.64
102	100	3.40			2.01	0.15			0.53
152	1500	4.20				0.12			
222	2200	8.50				0.10			
332	3300	11.0				0.08			
472	4700	13.9				0.06			
682	6800	25.0				0.04			
103	10000	32.8				0.02			

## TECHNICAL INFORMATION:

- Testing: (Equivalent acceptable)  
Inductance: HP4285A  
RDC: QuadTech 1880 Milliohm meter  
-Q- HP4342A - SRF-HP4191A
  - IDC Max: Determined when superimposed  
DC current is decreased 10% against its initial value
  - Operating Temperature: -40°C to +85°C
  - Storage Temperature: -40°C to +105°C
  - Solder methods: Vapor Phase, Infrared Reflow
  - Resistance to soldering heat: 260°C for 10 seconds
  - Solvent resistance: Conforms to MIL-STD-202E
  - Marking: Inductance & Tolerance
- Note: All specification subject to change without noticed.

## PHYSICAL CHARACTERISTICS



DIMENSION: (mm)

Part number	A	B	C	D	E	F	H	I	J
FASPI-0402S	6.60	4.45	2.92	4.32	1.27	1.02	3.56	1.4	4.06
FASPI-0802S	12.7	10.1	2.70	7.6	2.2	2.4	2.8	3.0	7.3
FASPI-0804S	12.95	9.40	5.08	7.62	2.54	2.54	2.79	2.92	7.37
FASPI-1306S	18.54	15.24	7.62	12.70	2.54	2.54	2.79	2.92	12.45



## SURFACE-MOUNT HIGH CURRENT INDUCTORS

# FASPI-HC SERIES

### 0605HC, 1006HC, 1306HC, 1608HC

#### FEATURES:

- Current up to 50A
- Flat-top for Pick & Place
- Very low DC Resistance
- Low profile

#### OPTIONS:

- Tape & Reel is Standard
- Bulk Packaging Available for Smaller Quantities
- Custom Design Available

#### COMMON APPLICATIONS:

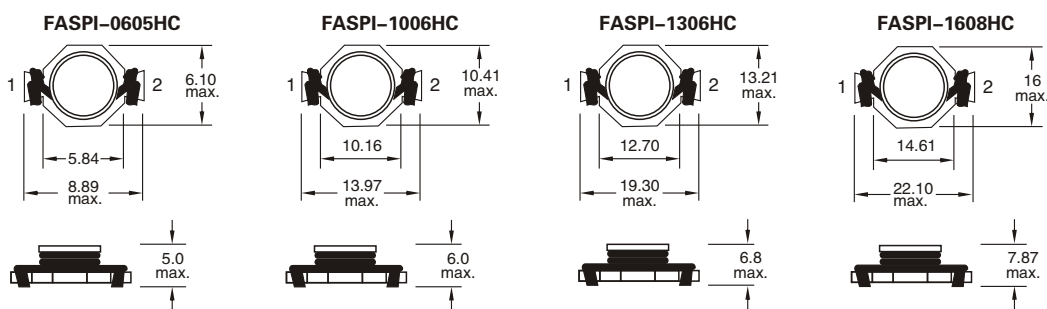
- Ideal for High Current, Low Voltage DC - DC Converters
- Designed for 3.3V Microprocessor

### STANDARD SPECIFICATION:

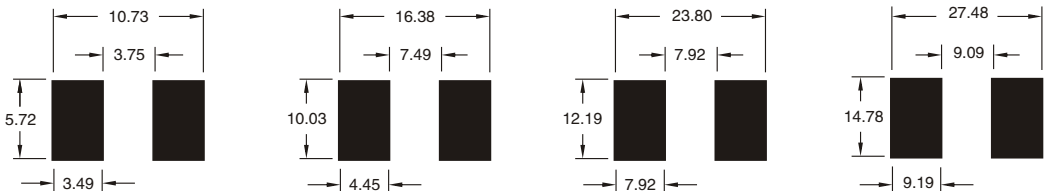
Part Number FASPL-XXX	0605HC				1006HC			1306HC			1608HC		
	L μH(rated)	IRMS A(max)	I SAT A(max)	DCR (Ω)max	IRMS A(max)	I SAT A(max)	DCR (Ω)max	IRMS A(max)	I SAT A(max)	DCR (Ω)max	IRMS A(max)	I SAT A(max)	DCR (Ω)max
R47	0.47	6.0	7.7	0.0097	10.6	11.4	0.0049	16.0	25.1	0.0021	19.2	51.7	0.0019
1R0	1.0	4.4	5.3	0.0177	9.3	9.9	0.0065	12.5	15.2	0.0034	17.3	37.3	0.0023
1R5	1.5	4.2	4.5	0.0200	8.3	7.9	0.0081	10.0	12.0	0.0053	13.4	28.9	0.0039
2R2	2.2	3.1	3.5	0.0363	7.2	6.1	0.0107	9.2	10.2	0.0074	12.0	23.7	0.0048
3R3	3.3	2.9	3.0	0.0428	6.5	5.1	0.0128	8.0	9.3	0.0083	11.0	20.2	0.0057
4R7	4.7	2.2	2.6	0.0544	5.5	4.2	0.0165	6.5	7.7	0.0114	8.6	15.6	0.0093
6R8	6.8	1.7	2.2	0.0897	5.0	3.6	0.0202	5.8	6.2	0.0183	8.3	14.1	0.0100
100	10.0	1.5	1.9	0.1107	4.3	3.3	0.0267	4.3	5.2	0.0261	6.8	11.5	0.0150
150	15.0	1.2	1.5	0.1747	3.5	2.4	0.0410	3.9	4.3	0.0317	5.5	9.1	0.0230
220	22.0	1.0	1.2	0.2541	2.8	2.0	0.0617	3.1	3.7	0.0491	4.5	7.6	0.0340
330	33.0	0.82	0.99	0.3670	2.1	1.7	0.0917	2.4	3.0	0.0688	3.7	6.1	0.0520
470	47.0	0.72	0.87	0.4740	1.7	1.4	0.1388	1.9	2.4	0.1082	3.1	5.2	0.0740
680	68.0	0.58	0.67	0.7320	1.5	1.2	0.1787	1.6	2.0	0.1558	2.4	4.3	0.1200
101	100.0	0.47	0.53	1.1090	1.2	0.95	0.2707	1.4	1.8	0.2053	2.0	3.6	0.1700

### PHYSICAL CHARACTERISTICS Dimensions(mm):

#### MECHANICAL DIAGRAM



#### PCB PAD LAYOUT

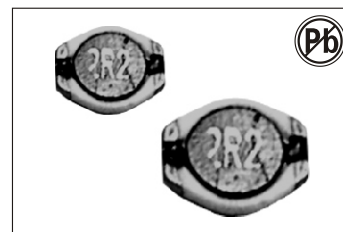


### Technical information:

- Notes: (1)Open Circuit Inductance Test Parameters: 100KHz, 250Vrms, 0.0Adc.  
 (2)RMS current for an approximate ΔT of 40°C. at an ambient temperature of 85°C.  
 (3)Peak current for approximately 30% rolloff.  
 (4)DCR limits 20°C.  
 (5)Operating Temperature: -40°C to + 85°C  
 All specifications subject to change without notice.

# LOW PROFILE SURFACE-MOUNT POWER INDUCTORS

## FASPI-0401C Series



### FEATURES:

- Ceramic housing
- High Frequency Design
- Excellent Q Values
- Excellent SRF
- Excellent Thermal Stability
- Low profile
- Small Foot Print

### OPTIONS:

- Tape & Reel is Standard (Qty:2000pcs.) Bulk packaging Available for Smaller Quantities
- Tolerance:K=10%,M=20% is Standard,Tighter Tolerances Available

### COMMON APPLCATIONS:

- Modems
- Mobile Radios
- Cordless Telephones
- Global Positioning Systems
- Wireless Communications Equipment
- Networking System,xDSL Filter
- Computer Products and Peripherals

## ELECTRICAL CHARACTERISTICS:

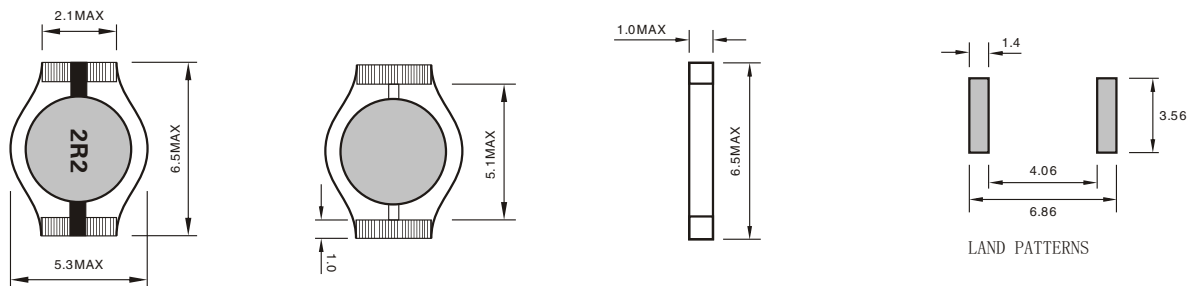
Part Number	Inductance (uH ± 20%)	Test Frequency	DCR Max (Ω)	Last (A)
FASPI0401C-1R0M	1.0	100KHz	0.08	0.55
FASPI0401C-1R5M	1.5	100KHz	0.10	0.54
FASPI0401C-2R2M	2.2	100KHz	0.12	0.53
FASPI0401C-3R3M	3.3	100KHz	0.16	0.45
FASPI0401C-4R7M	4.7	100KHz	0.20	0.43
FASPI0401C-6R8M	6.8	100KHz	0.32	0.38
FASPI0401C-100M	10	100KHz	0.41	0.3
FASPI0401C-150M	15	100KHz	0.55	0.27
FASPI0401C-220M	22	100KHz	0.85	0.22
FASPI0401C-330M	33	100KHz	1.30	0.18
FASPI0401C-470M	47	100KHz	1.80	0.14
FASPI0401C-680M	68	100KHz	2.50	0.12
FASPI0401C-101M	100	100KHz	3.50	0.095
FASPI0401C-151M	150	100KHz	5.00	0.075
FASPI0401C-221M	220	100KHz	7.00	0.06
FASPI0401C-331M	330	100KHz	15.0	0.045

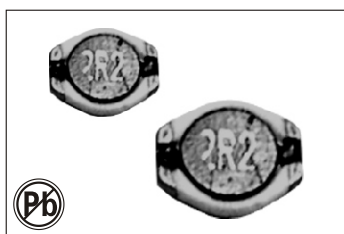
Note:1. K= ± 10%,M= ± 20%,N= ± 30%

## TECHNICAL INFORMATION & PHYSICAL CHARACTERISTICS:

Inductance(L)measured@ noted frequencies with ODC bias HP 4284A  
 Operating Temperature:-55°Cto85°C  
 Inductance Drops By 10%at Max rated in uH  
 Marking per EIA Standard colour code in uH  
 Dimensions in mm  
 Specifications subject to change without notice

DIMENSIONS IN: mm





## LOW PROFILE SURFACE-MOUNT POWER INDUCTORS

# FASPI-0402C Series

0603,0704,1005,1205

### FEATURES:

- Ceramic housing
- High Frequency Design
- Excellent Q Values
- Excellent SRF
- Excellent Thermal Stability
- Low profile
- Small Foot Print

### OPTIONS:

- Tape & Reel is Standard (Qty:2000pcs.)
- Bulk packaging Available for Smaller Quantities
- Tolerance:K=10%,M=20% is Standard,Tighter Tolerances Available

### COMMON APPLCATIONS:

- Modems
- Mobile Radios
- Cordless Telephones
- Global Positioning Systems
- Wireless Communications Equipment
- Networking System,xDSL Filter
- Computer Products and Peripherals

## ELECTRICAL CHARACTERISTICS:

Part Number	Inductance (uH ± 20%)	DCR Max (Ω)	Last (A)
FASPI0402C-1R0M	1.0	0.040	2.5
FASPI0402C-1R5M	1.5	0.06	2.2
FASPI0402C-2R2M	2.2	0.070	1.8
FASPI0402C-3R3M	3.3	0.10	1.4
FASPI0402C-4R7M	4.7	0.120	1.2
FASPI0402C-6R8M	6.8	0.19	1.1
FASPI0402C-100M	10	0.26	1.0
FASPI0402C-150M	15	0.40	0.8
FASPI0402C-220M	22	0.54	0.6
FASPI0402C-330M	33	0.74	0.5
FASPI0402C-470M	47	1.1	0.45
FASPI0402C-680M	68	1.6	0.35
FASPI0402C-101M	100	2.3	0.30
FASPI0402C-151M	150	3.2	0.25
FASPI0402C-221M	220	5.7	0.20
FASPI0402C-331M	330	8.2	0.16
FASPI0402C-471M	470	10.8	0.14
FASPI0402C-681M	680	17.2	0.12
FASPI0402C-102M	1000	22.6	0.08

Note: 1. K= ± 10%,M= ± 20%,N= ± 30%

## TECHNICAL INFORMATION & PHYSICAL CHARACTERISTICS:

Inductance(L)measured@noted frequencies with 0DC bias

Operating Temperature:-55°Cto85°C

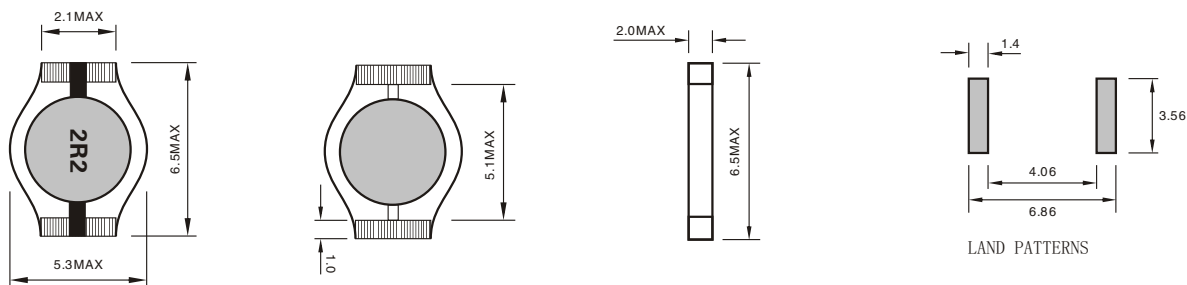
Inductance Drops By 10%at Max rated in uH

Marking per EIA Standard colour code in uH

Dimensions in mm

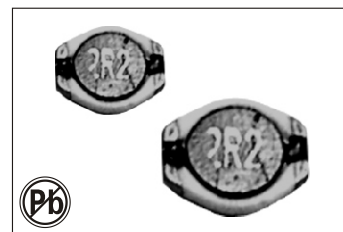
Specifications subject to change without notice

DIMENSIONS IN: mm



# LOW PROFILE SURFACE-MOUNT POWER INDUCTORS

## FASPI-0602C Series



### FEATURES:

- Ceramic housing
- High Frequency Design
- Excellent Q Values
- Excellent SRF
- Excellent Thermal Stability
- Low profile
- Small Foot Print

### OPTIONS:

- Tape & Reel is Standard (Qty:2000pcs.)
- Bulk packaging Available for Smaller Quantities
- Tolerance:K=10%,M=20% is Standard,Tighter Tolerances Available

### COMMON APPLCATIONS:

- Modems
- Mobile Radios
- Cordless Telephones
- Global Positioning Systems
- Wireless Communications Equipment
- Networking System,xDSL Filter
- Computer Products and Peripherals

## ELECTRICAL CHARACTERISTICS:

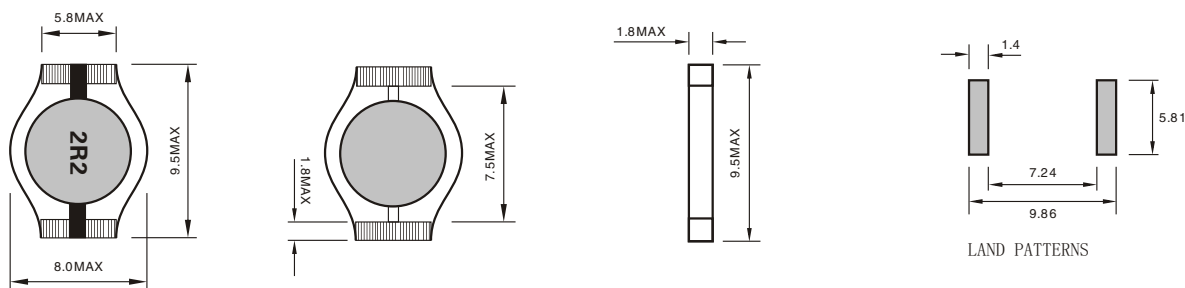
Part Number	Inductance (uH ± 20%)	Test Frequency	DCR Max (Ω)	Last (A)
FASPI0602C-4R7M	4.7	100KHz	0.145	1.60
FASPI0602C-6R8M	6.8	100KHz	0.165	1.30
FASPI0602C-100M	10	100KHz	0.240	1.00
FASPI0602C-150M	15	100KHz	0.300	0.90
FASPI0602C-220M	22	100KHz	0.420	0.70
FASPI0602C-330M	33	100KHz	0.550	0.60
FASPI0602C-470M	47	100KHz	0.765	0.50
FASPI0602C-680M	68	100KHz	1.10	0.40
FASPI0602C-101M	100	100KHz	1.60	0.30
FASPI0602C-151M	150	100KHz	2.50	0.25
FASPI0602C-221M	220	100KHz	3.65	0.22
FASPI0602C-331M	330	100KHz	4.65	0.18
FASPI0602C-471M	470	100KHz	6.75	0.14
FASPI0602C-681M	680	100KHz	9.15	0.12
FASPI0602C-102M	1000	100KHz	14.20	0.10

Note:1. K= ± 10%,M= ± 20%,N= ± 30%

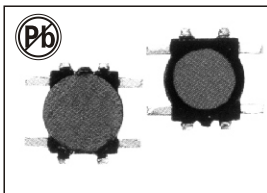
## TECHNICAL INFORMATION & PHYSICAL CHARACTERISTICS:

Inductance(L)measured@ noted frequencies with 0DC bias  
 Operating Temperature:-55°Cto85°C  
 Inductance Drops By 10%at Max rated in uH  
 Marking per EIA Standard colour code in uH  
 Dimensions in mm  
 Specifications subject to change without notice

DIMENSIONS IN: mm







# SURFACE-MOUNT POWER INDUCTORS

## FASMD4D06-4D08 SERIES

### FEATURES:

- Low DC Resistance
- Large current up to 0.95A
- Excellent Mechanical Strength
- High Reliability and Excellent Solderability
- Low and square Profile
- High heat resistance

### OPTIONS:

- Packaging:Tape & Reel is standard (Qty:2000pcs)  
Bulk packaging available for smaller quantities
- Tolerance:10% and 5% is standard, tighter tolerances available

### COMMON APPLICATIONS:

- VCRs, Notebook, DC/DC Converters
- Video Digital Cameras
- Communication System
- Automotive Systems Power supplier
- LCD PDP Televisions
- Hard Disk Drives, Topset, XDSL
- Network Systems
- Computer Peripheral Equipment

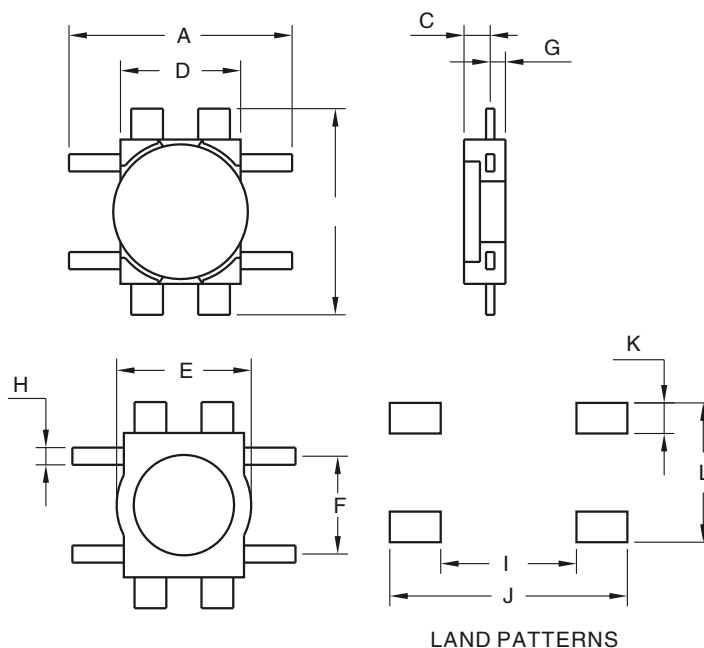
### ELECTRICAL CHARACTERISTICS:

Part Number	L μ H	Test Freq KHz	DCR Ω Max	IDC Max A	Part Number	L μ H	Test Freq KHz	DCR Ω Max	IDC Max A
FASMD4D06-2R2M	2.2	100	0.116	0.95	FASMD4D08-3R3M	3.3	100	0.060	0.85
FASMD4D06-3R3M	3.3	100	0.174	0.77	FASMD4D08-4R7M	4.7	100	0.194	0.80
FASMD4D06-4R7M	4.7	100	0.216	0.75	FASMD4D08-6R8M	6.8	100	0.276	0.65
FASMD4D06-6R8M	6.8	100	0.296	0.62	FASMD4D08-100M	10	100	0.335	0.57
FASMD4D06-100M	10	100	0.457	0.50	FASMD4D08-150M	15	100	0.508	0.45
FASMD4D06-150M	15	100	0.676	0.40	FASMD4D08-220M	22	100	0.766	0.37
FASMD4D06-220M	22	100	1.066	0.30	FASMD4D08-330M	33	100	1.162	0.28
FASMD4D06-330M	33	100	1.647	0.24	FASMD4D08-470M	47	100	1.658	0.22
FASMD4D06-470M	47	100	2.843	0.18	FASMD4D08-680M	68	100	2.534	0.18

Note:1. K= ± 10%,M= ± 20%,N= ± 30%

### TECHNICAL INFORMATION & PHYSICAL CHARACTERISTICS

- Inductance Testing: HP4284A, HP4285A or equivalent
- RDC:QuadTech 1880 Milliohmmer
- Q- HP4342A
- SRF-HP4191A or HP4194A
- Rated Current L value drop10%typ.at I<sub>DC</sub> against its initial value
- Temperature rise 40°CMax  
Reference ambient temperature
- Solderability: 75% of the lead wire  
Shall be covered
- Soldering Methods: Wave,Reflow
- Operating Temperature:-25°C to +85°C
- Storage Temperature: -55°C to +125°C
- Terminal bending strength:24.5N Min
- Moisture resistance:  
 $\Delta L/L \leq \pm 10\%$   $\Delta Q/Q \leq \pm 25\%$



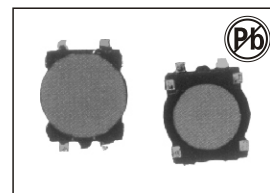
#### DIMENSIONS IN:mm

Part number	A	B	C	D	E	F	G	H	I	J	K	L
FASMD4D06	6.5Max	6.0Max	0.8Max	3.5	4.1	3.2	0.4	0.5	4	7	0.9	4.1
FASMD4D08	6.2Max	5.8Max	1.0Max	3.5	4.1	3.2	0.4	0.5	4	7	0.9	4.1

Note:All specifications subject to change without notice.

# SURFACE-MOUNT POWER INDUCTORS

## FASMD4D11-4D13 SERIES



### FEATURES:

- Ferrite Core Structure
- Low DC Resistance
- Large current up to 0.95A
- Excellent Mechanical Strength
- High Reliability and Excellent Solderability
- Low and square Profile
- High heat resistance

### OPTIONS:

- Packaging:Tape & Reel is standard (Qty:2000pcs)  
Bulk packaging available for smaller quantities
- Tolerance:10% and 5% is standard, tighter tolerances available

### COMMON APPLICATIONS:

- VCRs, Notebook, DC/DC Converters
- Video Digital Cameras
- Communication System
- Automotive Systems Power supplier
- LCD PDP Televisions
- Hard Disk Drives, Topset, XDSL
- Network Systems
- Computer Peripheral Equipment

## ELECTRICAL CHARACTERISTICS:

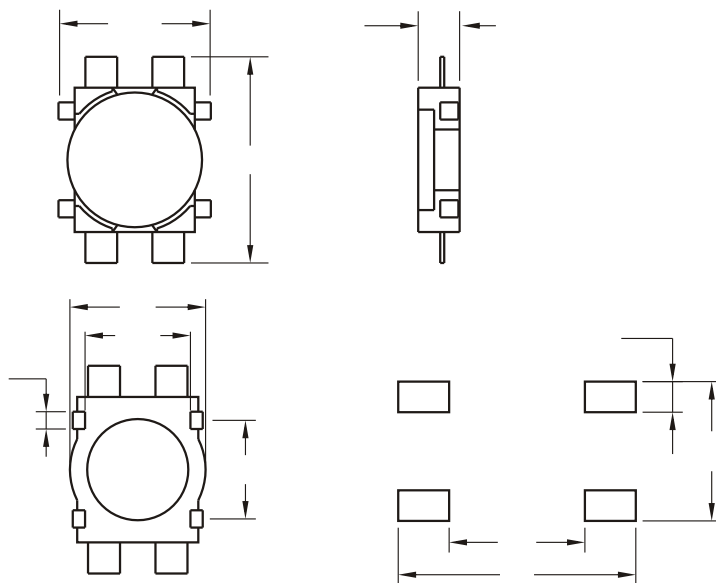
Part Number	L $\mu$ H	Test Freq KHz	DCR $\Omega$ Max	IDC Max A	Part Number	L $\mu$ H	Test Freq KHz	DCR $\Omega$ Max	IDC Max A
FASMD4D11-2R2M	2.2	100	0.116	0.95	FASMD4D13-2R2M	2.2	100	0.160	0.85
FASMD4D11-3R3M	3.3	100	0.174	0.77	FASMD4D13-3R3M	3.3	100	0.194	0.80
FASMD4D11-4R7M	4.7	100	0.216	0.75	FASMD4D13-4R7M	4.7	100	0.276	0.65
FASMD4D11-6R8M	6.8	100	0.296	0.62	FASMD4D13-6R8M	6.8	100	0.335	0.57
FASMD4D11-100M	10	100	0.457	0.50	FASMD4D13-120M	12	100	0.508	0.45
FASMD4D11-150M	15	100	0.676	0.40	FASMD4D13-180M	18	100	0.766	0.37
FASMD4D11-220M	22	100	1.066	0.30	FASMD4D13-330M	33	100	1.162	0.28
FASMD4D11-330M	33	100	1.647	0.24	FASMD4D13-470M	47	100	1.658	0.22
FASMD4D11-470M	47	100	2.843	0.18	FASMD4D13-680M	68	100	2.534	0.18
					FASMD4D13-101M	100	100	3.304	0.17

Note:1. K=  $\pm$  10%,M=  $\pm$  20%,N=  $\pm$  30%

## TECHNICAL INFORMATION & PHYSICAL CHARACTERISTICS

- Inductance Testing: HP4284A, HP4285A or equivalent
- RDC:QuadTech 1880 Milliohmmer
- Q- HP4342A
- SRF-HP4191A or HP4194A
- Rated Current L value drop10%typ.at  $I_{DC}$  against its initial value
- Temperature rise 40°CMax  
Reference ambient temperature
- Solderability: 75% of the lead wire  
Shall be covered
- Soldering Methods: Wave,Reflow
- Operating Temperature:-25°C to +85°C
- Storage Temperature: -55°C to +125°C
- Terminal bending strength:24.5N Min
- Moisture resistance:  
 $\Delta L/L \leq \pm 10\%$   $\Delta Q/Q \leq \pm 25\%$

Note:All specifications subject to change without notice.



LAND PATTERNS

DIMENSIONS IN:mm

Part number	A	B	C	D	E	F	G	I	J	K	L
FASMD4D11	4.5Max	6.0Max	1.3Max	2.9	3.7	3.2	0.5	3.0	5.8	0.8	4.1
FASMD4D13	4.4Max	5.8Max	1.45Max	2.9	3.7	3.7	0.5	2.5	5.3	0.8	4.0