

# 511 Quick-Acting Miniature Fuse



**Main Characteristics**  
 Cartridge miniature fuse; Quick-Acting (F) Standard  
 UL-248-14

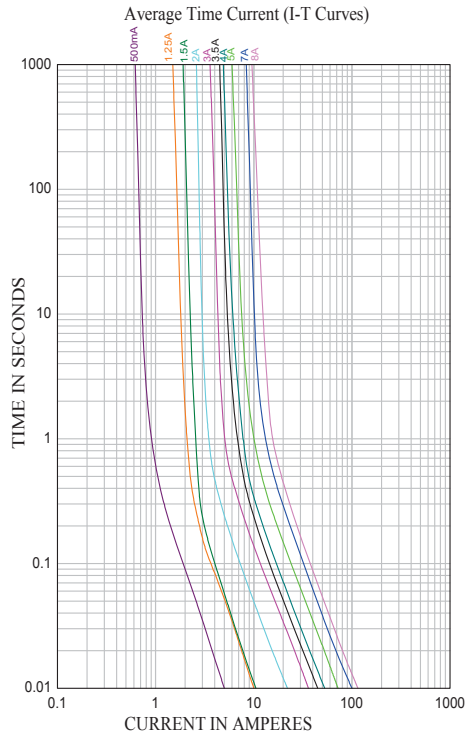
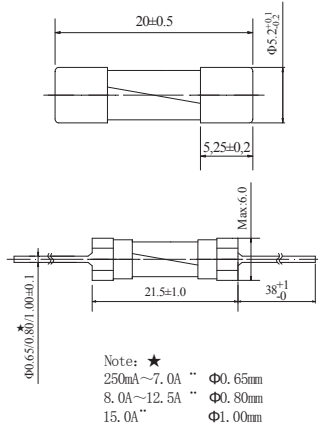
**Materials**  
 Tube: Glass Tube  
 End Caps: Nickel plated brass  
 Axial Leads: Nickel plated caps  
 Tin-plated copper wires

**Operating Temperature**  
 -55°C to +125°C  
**Storage Conditions**  
 +10°C to +60°C  
 Relative humidity: ≤75% yearly average  
 Without dew, maximum 30 days at 95%

**Vibration Resistance**  
 24 cycles at 15 min. each (60068-6)  
 10-60Hz at 0.75mm amplitude  
 60-2000Hz at 10g acceleration

**Soldering Parameters**  
 260°C. ≤5 sec (Wave Soldering)  
 350°C. ≤3 sec (Hand Soldering)  
**Soldering Peak:**  
 260°C. 10 sec. (IEC 60068-20)

Dimensions (unit in mm)



Time vs Current Characteristics: UL-248-14			
Rated current	100%	135%	200%
250mA-15A	>4h	<1h	<5s



Electrical Characteristics				Approvals	
Amp Code	Rated Current	Nominal Melting I <sup>2</sup> t(A <sup>2</sup> sec)	Breaking Capacity	cURus	
				125V	250V
0250	250mA	0.051	10kA 125V AC 35A 250V AC 50-60Hz Cosφ=0.7~0.8	○	○
0315	315mA	0.098		○	○
0400	400mA	0.168		○	○
0500	500mA	0.25		●	●
0630	630mA	0.397		●	●
0750	750mA	1.51		○	○
0800	800mA	1.82		●	●
1100	1.00A	2.89		●	●
1125	1.25A	1		●	●
1150	1.50A	1.1		○	○
1160	1.60A	1.18	10kA 125V AC 100A 250V AC 50-60Hz Cosφ=0.7~0.8	●	●
1200	2.00A	4.84		●	●
1250	2.50A	8.72		●	●
1300	3.00A	12.96		○	○
1315	3.15A	14.94		●	●
1350	3.50A	20.25		○	○
1400	4.00A	28.09		●	●
1500	5.00A	51.84		●	●
1630	6.30A	76.67		●	●
1700	7.00A	100		○	○
1800	8.00A	132.2	100A 125V AC 100A 250V AC 50-60Hz Cosφ=0.7~0.8	●	●
2100	10.00A	204.5		●	●
2120	12.00A	289		●	●
2150	15.00A	441		●	●

**HiOrder information**

Series	Amp code	Packaging Code	Qty
511			

Note: Permissible continuous operating current is 100% at ambient temperature of 23°C (73.4°F)

