



**DEVETECH ELECTRONICS CO. LTD**

**PIEZO BUZZER (External-drive)  
CUSTOMER: DACHS ELECTRONICA  
P/N: DVZ-ST177012F40**

DESIGNED BY	
CHECKED BY	
APPROVED BY	

Address: 11/F.,F.Block, Hang Lok Building, 130Wing Lok St., Hong Kong.  
Address: A3L1, Youpinyishu, Huanmei Rd., Dameisha, Yantian district, Shenzhen, China  
Tel: (86) 13632770721  
Email: [info@devetechelectronics.com](mailto:info@devetechelectronics.com)  
Website: [www.devetechelectronics.com](http://www.devetechelectronics.com)

<b>CONTENTS</b>		
<b>N°</b>	<b>Contents</b>	<b>Page</b>
1	Revision	2
2	Scope	3
3	General Characteristics	3
4	Electrical and Acoustic Characteristics	3
5	Reliability Test	4
6	Measurement Method and Frequency Response Curve	5
7	Dimensions	6
8	Packing	7

## 1. Revision

<b>Rev. No</b>	<b>Date</b>	<b>Page</b>	<b>Description of Revision</b>
1.0	2017/7/25		Preliminary

## 2. Scope

This product specification is applied to the Magnetic Buzzer in alarm systems. Please contact us when using this product for any other applications than described in the above.

## 3. General Characteristics

3.1 Out-Diameter: 17 mm

3.2 Height: 7 mm

3.3 Weight: 2g

3.4 Operating Temperature: -20~+70°C without loss of function

3.5 Store Temperature: -30~+85°C without loss of function

## 4. Electrical and Acoustic Characteristics

Test condition: 15 ~ 35 °C Temp: 25% ~ 75% RH,86~106 kPa Refer to IEC60268-1

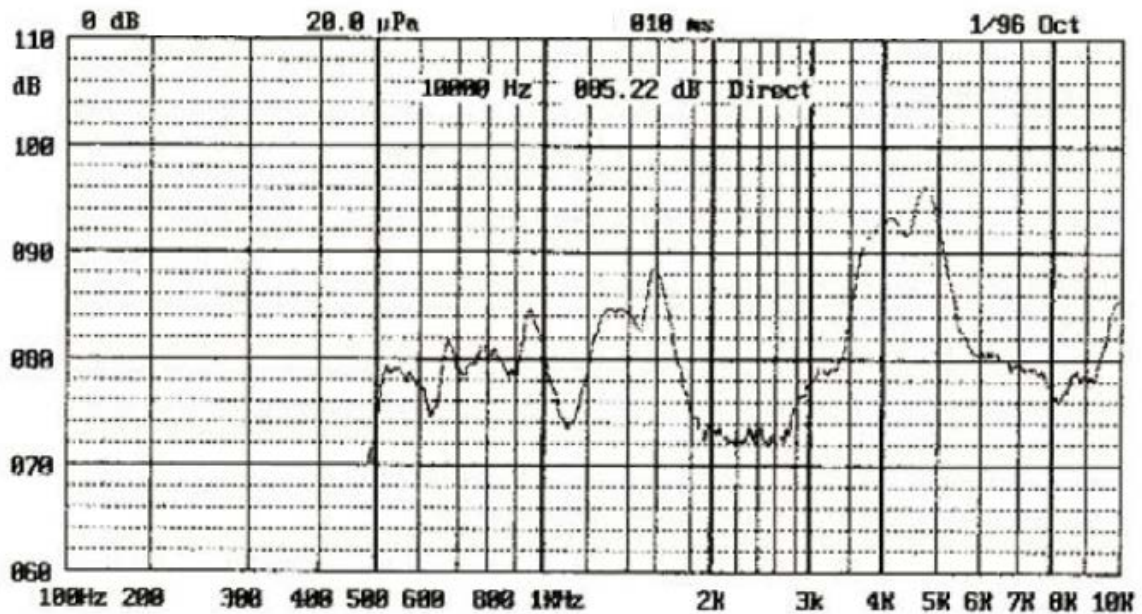
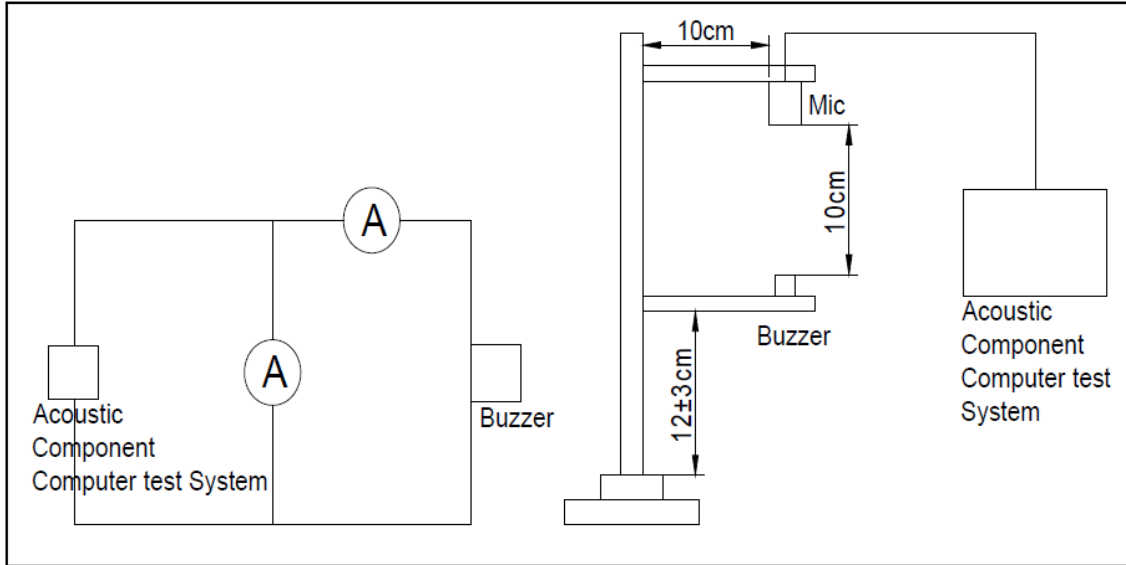
	Items	Specification
1	Rated voltage	12 Vp-p square wave
2	Max working voltage	30 Vp-p square wave
3	Max rated current	3mA at 4.0KHz/12Vp-p Square Wave
4	Min sound pressure level	85dB/12Vp-p square wave/10cm
5	Resonant frequency	4.0±0.5KHz
6	Tone nature	Continuous
7	Housing material	PBT
8	Color	Black

## 5. Reliability Test

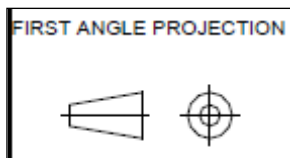
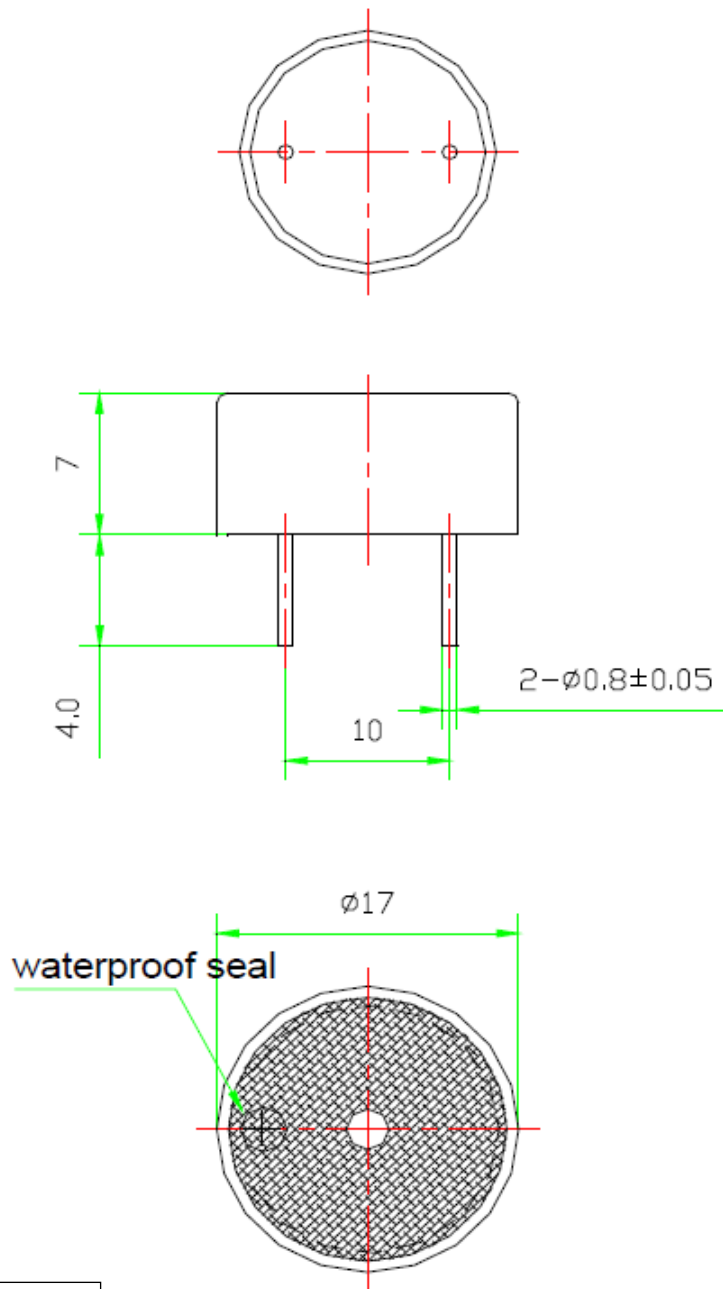
After test (1~7item), the buzzer S.P.L difference shall be within  $\pm 8\text{dB}$ , and the appearance not exist any change to be harmful to normal operation.

No	Items	Specification
1	High Temp.Test	After being worked in a chamber with $+70\pm 2\text{ }^\circ\text{C}$ for 2h and then being
2	Low Temp.Test	First being worked in a chamber with $20\pm 2\text{ }^\circ\text{C}$ for 2h and then being placed in natural condition for 2h and then check.
3	Humidity Test	After being placed in a chamber with 90 to 95%R.H. at $+40\pm 2\text{ }^\circ\text{C}$ for 2 h and then being placed in natural condition for 2h, and then check.
4	Thermal Shock Test	After being worked in a chamber at $+70\pm 2\text{ }^\circ\text{C}$ for 1 hour, then sounder shall be placed in a chamber at $-20\pm 2\text{ }^\circ\text{C}$ for 1 hour (1 cycle is the below diagram). The test duration is for 10 cycles after being placed in natural condition for 1 hour and then check.
5	Vibration Test	Being applied vibration of amplitude of 1.5mm with 10-30Hz band of vibration frequency, X.Y.Z.3 direction.2 hours each, total 6 hours.
6	Drop Test	Free drop fram 1.0 meter height to a board 20mm thick hard wood board and be nothing mechanical damage. Total 6 times
7	Solderability	Lead terminals are immersed in rosin for 5 seconds and then immersed in solder bath of $+255\pm 5\text{ }^\circ\text{C}$ for $3\pm 0.5$ seconds.
8	Terminal strength pulling	The force 5 seconds of 5N is applied go each terminal in axial direction.

## 6. Measurement Method and Frequency Response Curve



## 7. Dimensions



UNIT : mm

Tolerance :  $\pm 0.5$



DEVETECH ELECTRONICS CO. LTD

## 8. Packing

Each minimum package unit of products shall be in a carton box and it shall be clearly marked with Part Number, quantity and outgoing inspection number.

There shall be no mechanical damage on products during in storage.

