

SPECIFICATION

Customer Name: _____


Document No./Rev No: 1810006/1.0

Customer Number: E1261

FUAN Number: FAETD39-8822

Category: ETD39 Transformer

Approved Date: 2018.10.06

APPROVED SIGNATURE			MANUFACTURER SIGNATURE		
					
APPROVED BY	CHECKED BY	TESTED BY	APPROVED BY	CHECKED BY	TESTED BY
			Anson zhan	Zhan Yong	Qiumei Liu



天长富安电子有限公司
Tianchang Fuan Electronic Co Ltd

TEL: +86-550-7814888/7811988


FAX: +86-550-7831133

Web: www.fuantronics.net

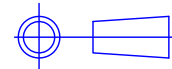
Addr: NO.286 RenMin East Road, Renheji Town, Tianchang city, Anhui province, China

File change record table

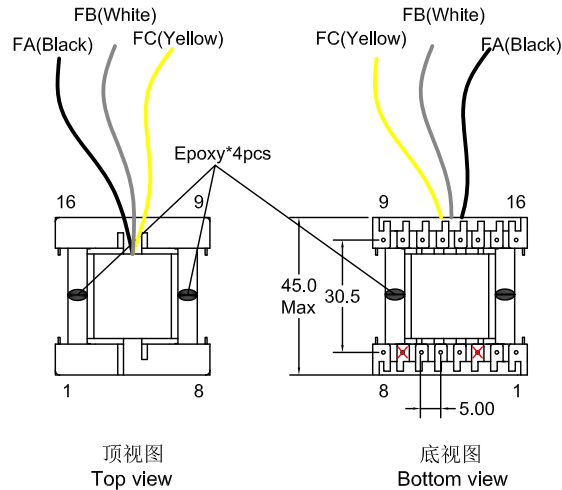
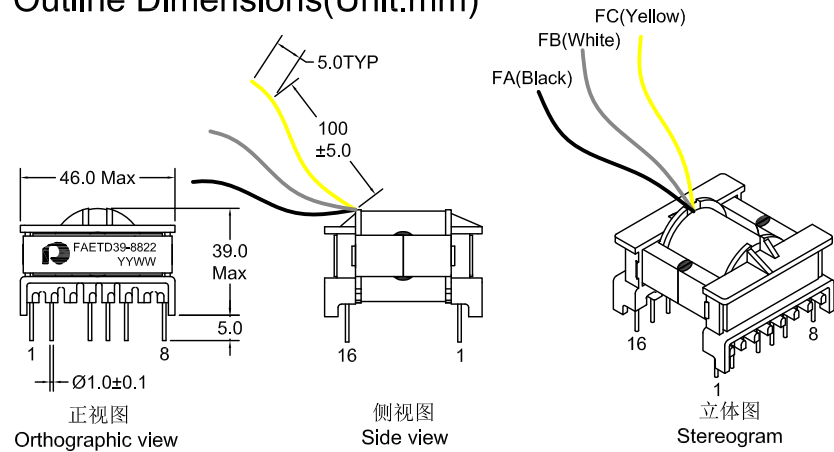
Date	Rev.No	Contents	Prepared	Checked	Approved
2018.10.06	1.0	New edition issue.	Qiumei Liu	Zhan Yong	Anson

TOLERANCE LEVEL		 天长市富安电子有限公司 PAIRUI Tianchang Fuan Electronic Co Ltd	
X.	—	DWN: Qiumei.Liu	TITLE:ETD39 Transformer
.X	±0.50	CHKD: Zhan Yong	FuAn P/N: FAETD39-8822
.XX	±0.25	APPD: Anson.zhan	Customer P/N: E1261
.XXX	—	UNITS	SHEET
		mm	2/5
		DOCUMENT NO. /Rev	DATE
		1810006/1.0	Otc.06.2018

No.286 RenMin East Road,Renheji Town,Tianchang city,Anhui province,China
 TEL: :+86-550-7814888/7811988 FAX:+86-550-7831133
 www.fuantronics.net

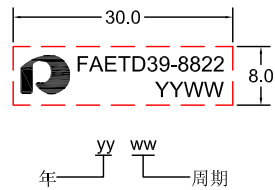


Outline Dimensions(Unit:mm)



REMARK:

- 1.Remove pin 3,7.
- 2.Cut pin5 2/3.



Note:

- 1.采用荧光底黑字标签;
- 2.字迹清晰不模糊,不易掉;
- 3.边框不印出来,只代表尺寸范围;
- 4.字体为Arial,字体高度2.10mm.

Electrical Characteristics

Inductance : L6-4= 5.60mH ±7%,at 1KHz,0.3V.

D.C.Resistance : 1-2= 0.810 ohms Max.

6-4= 2.260 ohms Max.

9-8= 1.590 ohms Max.

11-10= 0.110 ohms Max.

12-13= 0.190 ohms Max.

13-14= 0.230 ohms Max.

16-15= 0.110 ohms Max.

FA-FB= 0.230 ohms Max.

FB-FC= 0.230 ohms Max.

Turns Ratio : Wdg1+Wdg6:Wdg3:Wdg4:Wdg5:Wdg8:Wdg9:Wdg10:Wdg11:Wdg12
= 172:14:22:24:15:14:14:22:26±1%,at 20KHz,1V.

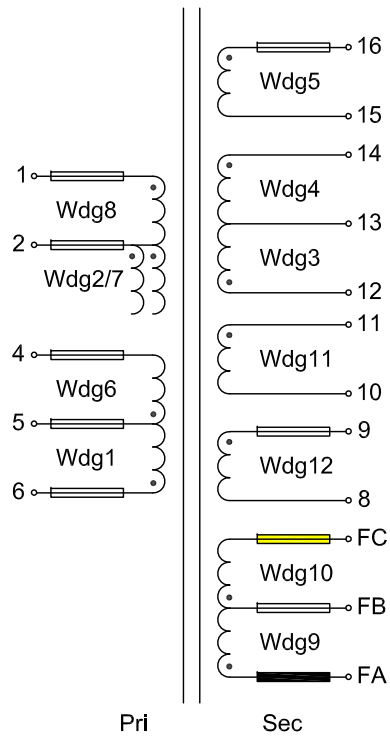
Hipot : Pri&Aux-Sec : 3500VAC/5mA/2S.

Pri-Aux : 2500VAC/5mA/2S.

Sec-Sec : 1000VAC/5mA/2S.

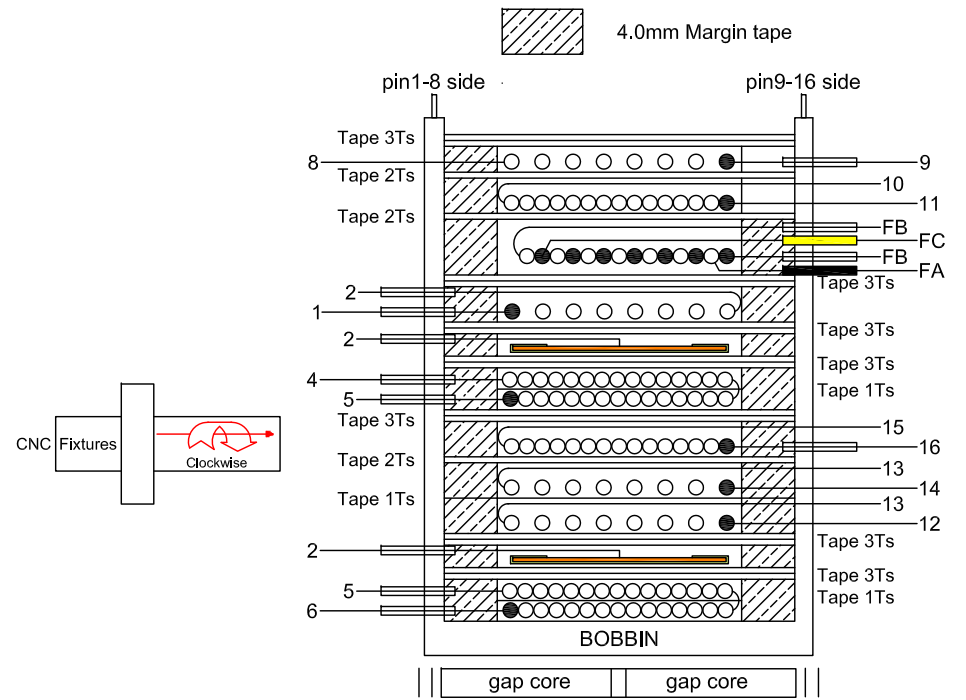
TOLERANCE LEVEL		天中市富安电子有限公司 PAIRUI Tianchang Fuan Electronic Co Ltd	
X.	—	DWN: Qiumei.Liu	TITLE:ETD39 Transformer
.X	±0.50	CHKD: Zhan Yong	FuAn P/N: FAETD39-8822
.XX	±0.25	APPD: Anson.zhan	Customer P/N: E1261
.XXX	—	UNITS	SHEET
		mm	3/5
		DOCUMENT NO. /Rev	DATE
		1810006/1.0	Otc.06.2018

Electronical Schematic



"." Start
 — White teflon tube
 — Black teflon tube
 — Yellow teflon tube

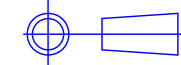
Winding Construction:



Black Teflon tube for FA, White Teflon tube for FB,
 Yellow Teflon tube for FC, Other white Teflon tube

TOLERANCE LEVEL	
X.	—
.X	±0.50
.XX	±0.25
.XXX	—

天长市富安电子有限公司 PAIRUI Tianchang Fuan Electronic Co Ltd		DWN: Qiumei.Liu	TITLE:ETD39 Transformer
		CHKD: Zhan Yong	FuAn P/N: FAETD39-8822
APPD: Anson.zhan		Customer P/N: E1261	
UNITS	SHEET	DOCUMENT NO. /Rev	DATE
mm	4/5	1810006/1.0	Otc.06.2018



Winding step.

Winding	Terminal		Wire Gauge	Turns	Tape	Margin tape		Tube		Remarks
	start	end				pin1-8 side	pin9-16 side	start	end	
Wdg1	6	5	0.35mm*1P 2UEW-H	43+43	1+3	4.0mm	4.0mm	#26L	#26L	Clockwise close 2 layers
Wdg2	2	Nc	0.05mm*15.0mm Copper foil	1.1	3	4.0mm	4.0mm	#26L		Clockwise close
Wdg3	12	13	0.35mm*1P 2UEW-H	14	1	4.0mm	4.0mm			Clockwise space coil
Wdg4	14	13	0.40mm*1P 2UEW-H	22	2	4.0mm	4.0mm			Clockwise space coil
Wdg5	16	15	0.65mm*1P 2UEW-H	24	3	4.0mm	4.0mm	#23L		Clockwise close
Wdg6	5	4	0.35mm*1P 2UEW-H	43+43	1+3	4.0mm	4.0mm	#26L	#26L	Clockwise close 2 layers
Wdg7	2	Nc	0.05mm*15.0mm Copper foil	1.1	3	4.0mm	4.0mm	#26L		Clockwise close
Wdg8	1	2	0.20mm*1P 2UEW-H	15	3	4.0mm	4.0mm	#28L	#28L	Clockwise space coil
Wdg9	FA	FB	0.40mm*1P 2UEW-H	14	2	4.0mm	4.0mm	#24L Black	#24L White	Clockwise double winding
Wdg10	FB	FC	0.40mm*1P 2UEW-H	14				#24L White	#24L Yellow	
Wdg11	11	10	0.70mm*1P 2UEW-H	22	2	4.0mm	4.0mm			Clockwise close
Wdg12	9	8	0.20mm*1P 2UEW-H	26	3	4.0mm	4.0mm	#28L		Clockwise space coil

List of UL Certificate:

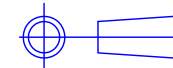
No.	Part Name	Mat'l Description	Supplier	UL Number
1	Bobbin	ETD-3901/T375J/FAY01091	Chang Chun Plastics Co Ltd	E59481
2	Copper wire	2UEW-H/180C	Elektrisola Hangzhou Co Ltd	E258243
3	Core	ETD39/40/13 GP4	Su Zhou Guanda Magnet Co Ltd	N/A
4	Tape	JY-25-A1/130C	Jingjiang Jingyi Adhesive Product Co Ltd	E246950
5	Margin tape	WF310-65G/130C	Jingjiang Jingyi Adhesive Product Co Ltd	E246950
6	Tube	CB-TT-L/200°C(White,Black,Yellow)	Changyuan Electronics (Shenzhen) Co Ltd	E180908
7	Epoxy	E-500	DongGuan Eatto Electronic Material Co Ltd	E218090
8	Varnish	T-4260(a)/MW28-C	SuZhou TaiHu Electric Advanced Material Co Ltd	E228349

TOLERANCE LEVEL	
X.	—
.X	±0.50
.XX	±0.25
.XXX	—



天长市富安电子有限公司
PAIRUI Tianchang Fuan Electronic Co Ltd

DWN: Qiumei.Liu	TITLE:ETD39 Transformer
CHKD: Zhan Yong	FuAn P/N: FAETD39-8822
APPD: Anson.zhan	Customer P/N: E1261



No.286 RenMin East Road,Renheji Town,Tianchang city,Anhui province,China
TEL: :+86-550-7814888/7811988 FAX:+86-550-7831133
www.fuantronics.net

UNITS	SHEET	DOCUMENT NO. /Rev	DATE
mm	5/5	1810006/1.0	Otc.06.2018