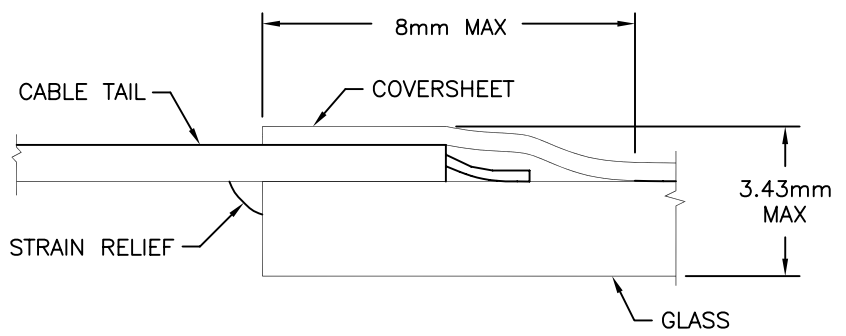
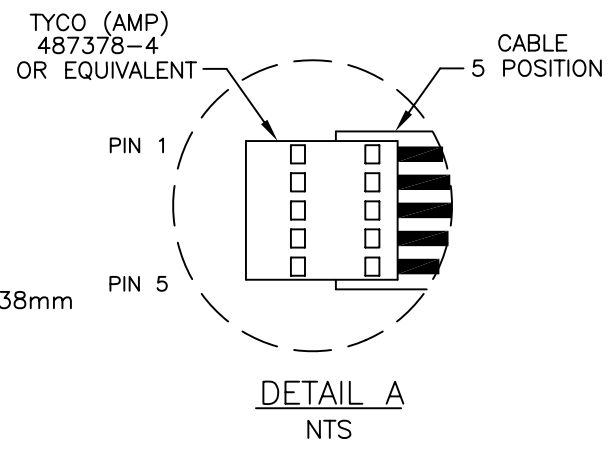
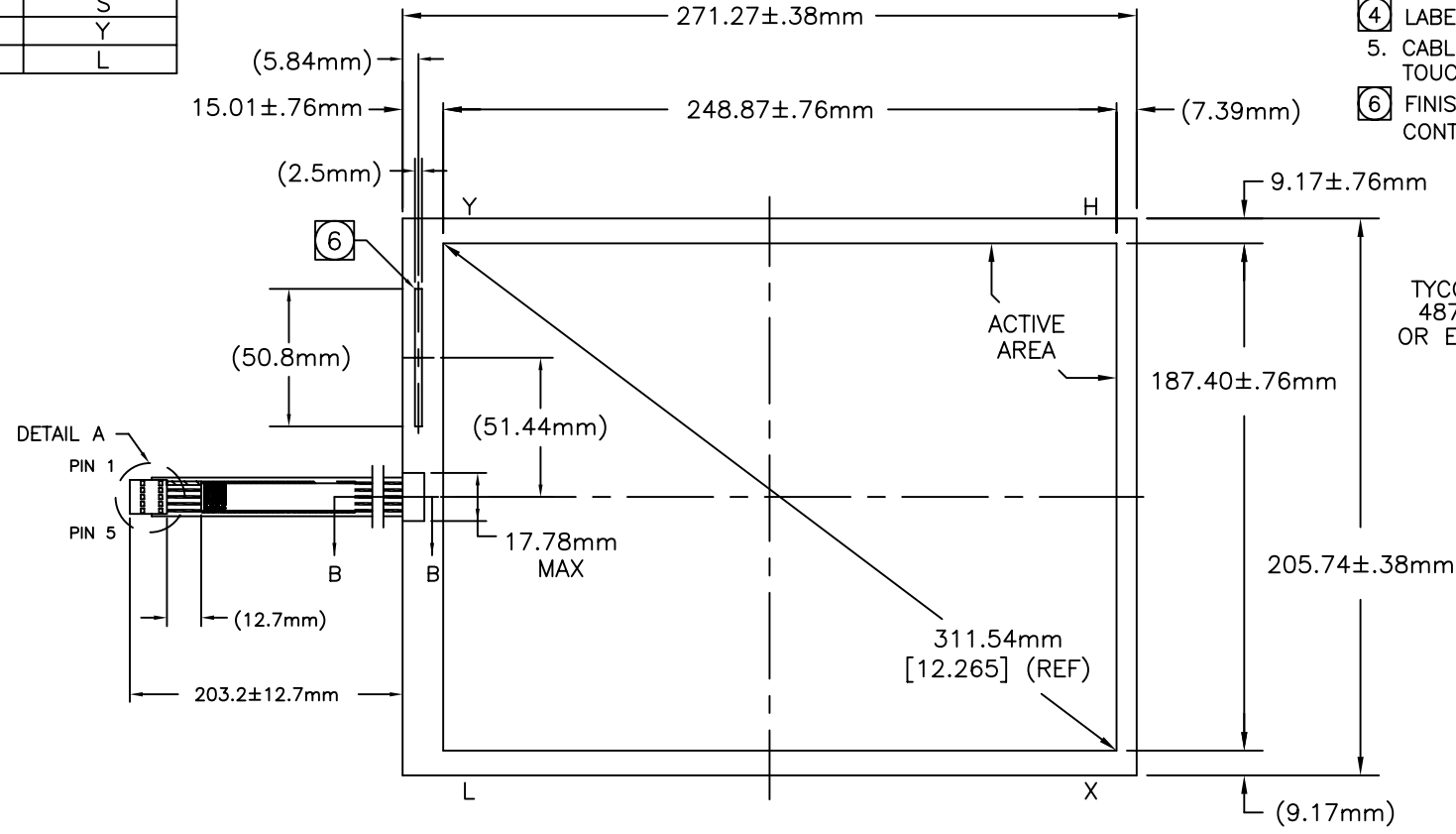


CONNECTOR PINOUT	
PIN NO.	DESIGNATION
1	H
2	X
3	S
4	Y
5	L

ACCUTOUCH® TOUCHSCREEN
 SCN-A5-FLT12.1-Z01-OH1-R
 ELO P/N: E011881

- NOTES:**
- GLASS THICKNESS 2.36mm NOMINAL.
 - FINISHED PART THICKNESS 2.67mm NOMINAL.
 - FINISHED PART THICKNESS AT CABLE ATTACHMENT AREA 3.43mm MAX.
 - 4 LABEL TO BE ATTACHED TO FRONT SIDE OF CABLE.
 - CABLE IS ATTACHED TO THE LEFT SIDE OF TOUCHSCREEN AT CENTER POINT AS SHOWN.
 - 6 FINISHED PART THICKNESS AT THE COVERSHEET CONTACT 3.05mm MAX.



UNLESS OTHERWISE SPECIFIED:
 DIMENSIONS ARE IN mm

