

## Variable Attenuators

### 1. How to order

HAJ    XX    K    A    X  
 ①        ②        ③        ④        ⑤

- ① Manufacture code
- ② Attenuator values: dB
- ③ Variable type
- ④ Structure: A, B, C, D etc.
- ⑤ Environment request: 0 –no request; 1 -lead free; 2 –RoHS compliance.

### 2. Electrical characteristics

Type: HAJ20KC0

NO.	Item	Test conditions	Specifications
1	Impedance	Output /Input impedance	75 ohms
2	Accuracy	<300MHz	<1.4dB
		300~800MHz	<2.0dB
3	Attenuations (MAX)	Test at full C.C.W. Position	20 dB ±2dB
4	Attenuations (MIN)	Test at full C.W. Position	<0.5dB
5	Insertion loss	At 800 MHz	<1.2dB
		At 1000 MHz	<2.0dB
6	Adapting attenuation	To 800 MHz	≥14dB

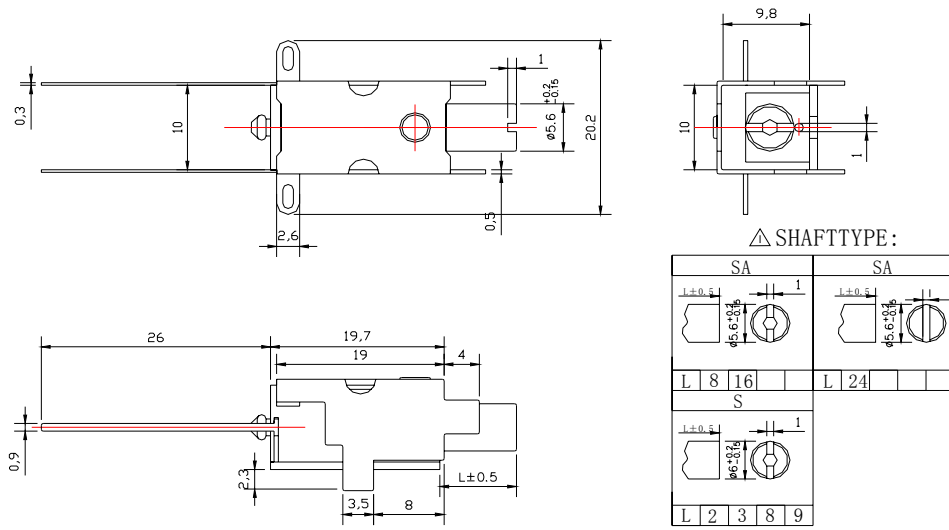
### 3. Mechanical characteristics

Type: HAJ20KC0

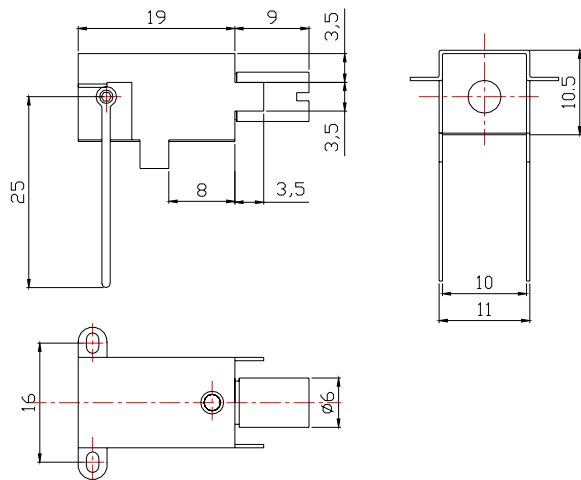
NO.	Item	Test conditions	Specifications
1	Total rotation turns	From full C.C.W. position to full C.W. position the shaft total rotation turns.	3.5±0.5 turns 4.0±0.5 turns 6.0±0.5 turns
2	Rotation torque	Rotation speed 60° /sec.	50 gf-cm (MAX)
3	Axis stopper strength	Test at full C.W. position.	800 gf-cm (MIN)

4. Mechanical structure:

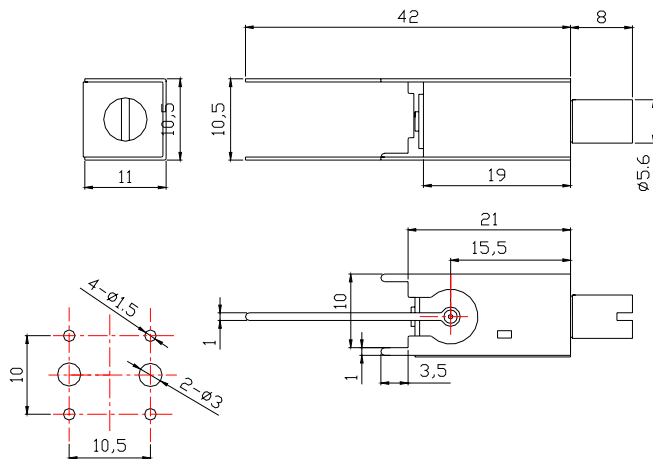
Structure A:



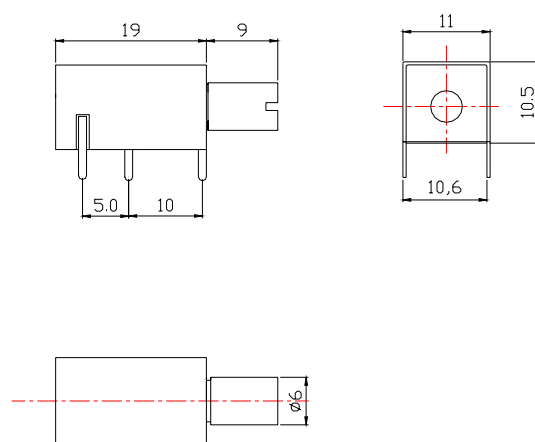
Structure B:



Structure C:



**Structure D:**



**Structure E:**

