



**DEVETECH ELECTRONICS CO. LTD**

**ULTRASONIC SENSOR  
CUSTOMER: DACHS ELECTRONICA  
P/N: DVZP1621H12CT**

|             |  |
|-------------|--|
| DESIGNED BY |  |
| CHECKED BY  |  |
| APPROVED BY |  |

Address: 11/F.,F.Block, Hang Lok Building, 130Wing Lok St., Hong Kong.

Address: A3L1, Youpinyishu, Huanmei Rd., Dameisha, Yantian district, Shenzhen, China Tel: (86) 13632770721

Email: [info@devetechelectronics.com](mailto:info@devetechelectronics.com)

Website: [www.devetechelectronics.com](http://www.devetechelectronics.com)



| <b>CONTENTS</b> |                                       |             |
|-----------------|---------------------------------------|-------------|
| <b>N°</b>       | <b>Contents</b>                       | <b>Page</b> |
| 1               | Scope                                 | 3           |
| 2               | Specification                         | 3           |
| 3               | Appearance drawing                    | 4           |
| 4               | Input voltage / S.P.L Characteristics | 4           |
| 5               | Directivity                           | 5           |
| 6               | Test circuit                          | 5           |
|                 |                                       |             |

## 1. Scope

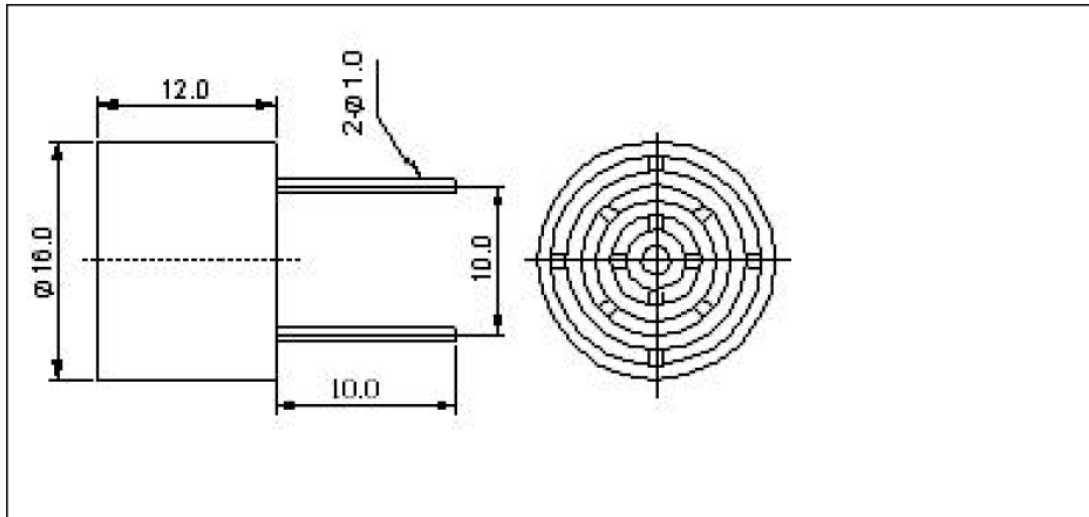
This specification applies ultrasonic sensor diaphragm, DVZP1621H12CT.

## 2. Specification

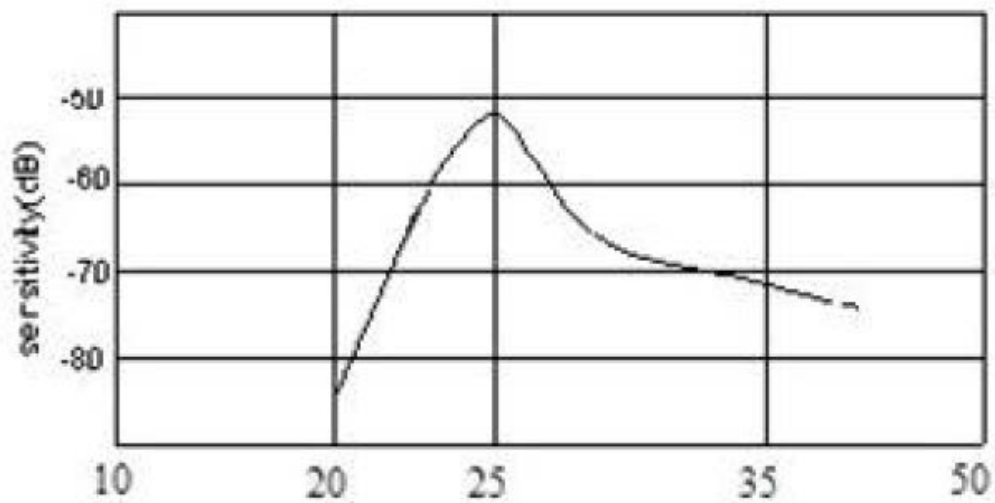
|    | Item                      | Unit | Specification       | Condition              |
|----|---------------------------|------|---------------------|------------------------|
| 1  | Construction              |      | Open structure type |                        |
| 2  | Using method              |      | Transmitter         |                        |
| 3  | Fo Center Frequency       | KHz  | 21.5±1              |                        |
| 4  | Free capacitance          | PF   | 2400±20%            | At 1KHz                |
| 5  | Min. sound pressure level | dB   | ≥110                | 10Vrms/30cm            |
| 6  | Material                  |      | Plastic             |                        |
| 7  | Operating temp            | °C   | -30°C~+85           |                        |
| 8  | Storage temp              | °C   | -40~+90             |                        |
| 9  | Dimension                 | mm   | 16*12               | See appearance drawing |
| 10 | Weight                    | g    | 1.0                 |                        |

### 3. Appearance drawing

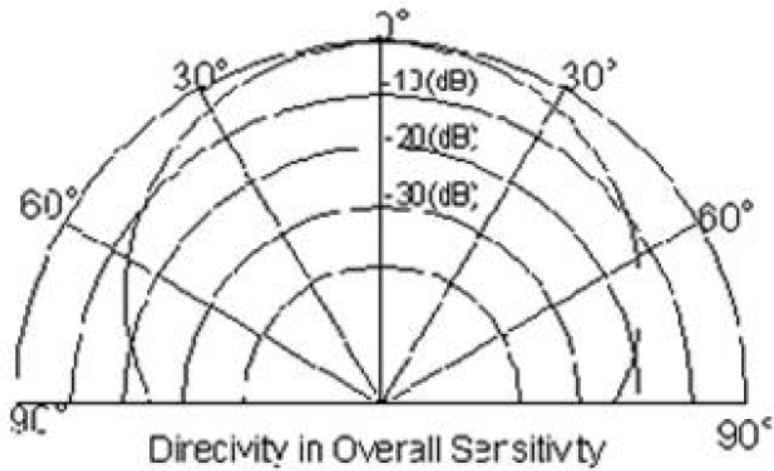
Model No: DVZP1621H12CT      Unit: mm



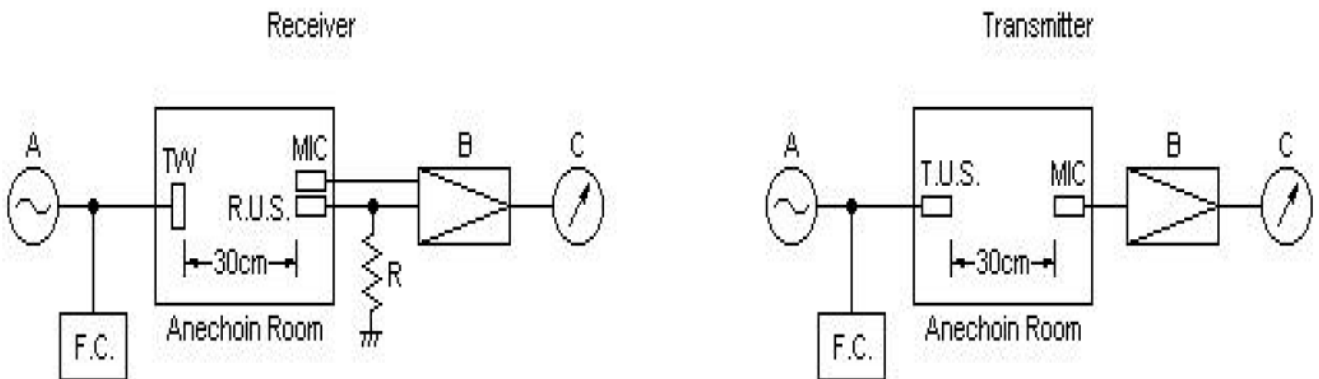
### 4. Input voltage / S.P.L Characteristics



## 5. Directivity



## 6. Test circuit



**A:** Oscillator **B:** Amplifier **C:** Voltmeter **R:** 3.9K **MIC:** Microphone **TW:** Tweeter  
**R.U.S.:** Receiver Ultrasonic Sensor **T.U.S.:** Transmitter Ultrasonic Sensor  
**F.C.:** Frequency Counter

### ※ NOTES

- This sensor is designed for use in air. Do not use this sensor in fluid.
- To prevent sensor malfunctions, operational failure or any deterioration of its characteristics, do not use this sensor in the following, or similar conditions.

- A. In strong shock or vibration.
  - B. In high temperature and humidity for a long time.
  - C. In corrosive gases or sea breeze.
  - D. In an atmosphere of organic solvents.
- In dirty and dusty environments that may contaminate the sensor front.

