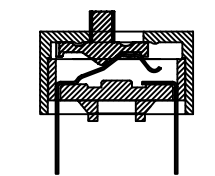
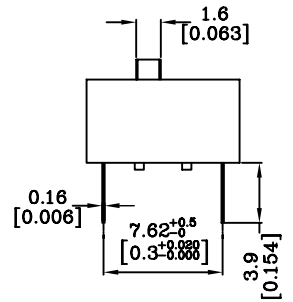
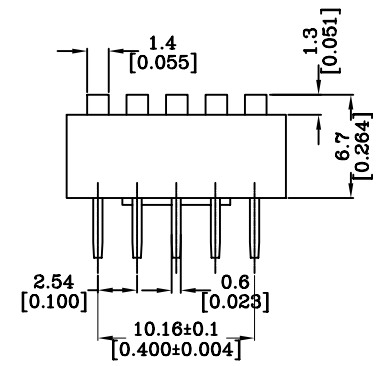
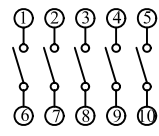


P.C.B LAYOUT



SECTION A-A



REV.NO	DESCRIPTION	DRAWN	CHECKED	APPROVED
ONE	NEW RELEASE			

SOLDERING AND CLEANING PROCESSES

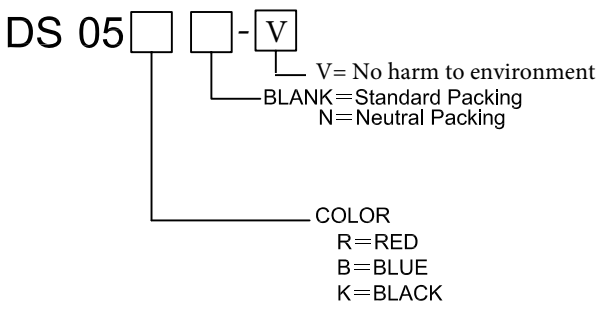
For best results, please follow these recommendations:
 Keep all switch contacts in their "OFF" position for all operations.
WAVE SOLDERING:
 Recommended solder temperature at 500°F (260°C) max 5 seconds.
HAND SOLDERING:
 Use a soldering iron of 30 Watts or less, controlled at 608°F (320°C) approximately 2 seconds while applying solder.

All DIP Switches are shipped in standard IC tube.

DS-05 PACKAGE

SERIES	NO. of POS	PER TUBE	PER BOX
DS	05	34pcs	1700pcs

HOW TO ORDER



MATERIALS

BASE: UL94V-0 PBT Thermoplastic,
 Color: Black
 COVER: UL94V-0 PBT Thermoplastic,
 Color: Red, Black, Blue
 ACTUATORS: UL94V-0 PBT
 Thermoplastic, Color: White
 TERMINAL: Copper Alloy with gold plating

ELECTRICAL

Electrical Life: 3000 operations per switch 24VDC, 25mA.
 Non-Switching Rating: 100mA, 500VDC.
 Switching Rating: 25mA, 24VDC.
 Contact Resistance: 50mΩ max. at initial.
 Insulation Resistance: (at 500VDC) 100 MΩ min.
 Dielectric Strength: 500VAC/1minute.
 Capacitance: 5PF max.
 Circuit: Single pole single throw.

MECHANICAL

Operation Force: 0.2kgf max.
 Stroke: 2.0mm
 Operation Temp: -20°C to 70°C
 Storage temp: -40°C to 85°C

GENERAL TOLERANCE	ANGLE TOLERANCE	PROJECTION	UNIT	DIP SWITCHES		
X. ±0.50	X. ±5°	UNITS	MM	MODEL	DS-05	
.X ±0.30	.X ±3°	SHEET SIZE	A4			
.XX ±0.20	.XX ±2°					
DRAWING TYPE	CUSTOMER			DEVETECH ELECTRONICS CO.LTD.		
SCALE	2:1	SHEET				1
DRAWING NO						1 SH