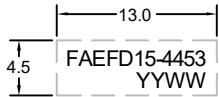
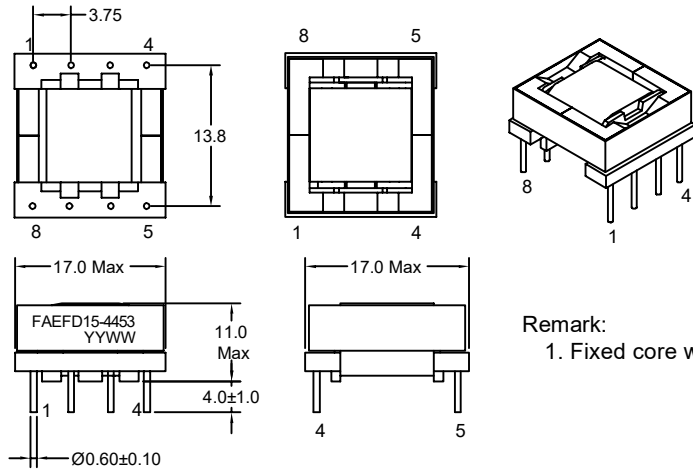


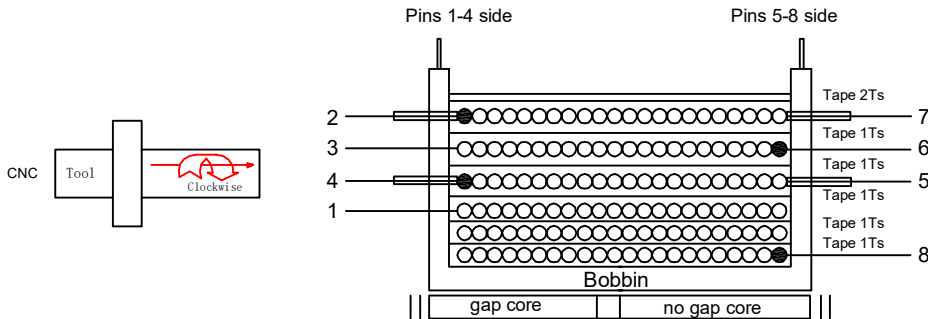
### Outline Dimensions(Unit:mm)



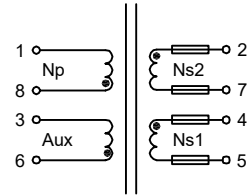
1. 采用移印或喷码或透明底黑字标签 .
2. 字体为Arial, 字体高度1.30mm.
3. 字迹清晰不模糊,不易掉.

YY WW  
年份 周期

### Winding Construction:

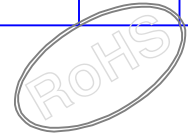


### Electrical Schematic



□ Teflon tube

- W1(8-1): 200Ts/0.10mm\*1P 2UEW-F.
- W2(4-5): 17Ts/0.20mm\*1P TIW-B.
- W3(6-3): 30Ts/0.20mm\*1P 2UEW-F.
- W4(2-7): 7Ts/0.20mm\*1P TIW-B.



### Electrical Characteristics

- Inductance : L1-8= ? mH ±10% @1KHz 0.3V.
- D.C.Resistance : 1-8= 13.0 ohms Max .
- 2-7= 0.15 ohms Max .
- 3-6= 0.55 ohms Max .
- 4-5= 0.30 ohms Max .
- Turns Ratio: 8-1:6-3:4-5:2-7=200:30:17:7±2%.
- Hi-Pot : Pri-Sec 2000VAC/3mA/2Seconds.
- Bobbin: EFD-1501/T375J(FAY01091).
- Core: EFD15-P3 .
- Wire: 2UEW-F and TIW-B .
- Tape: JY25-A1/130°C.
- Tube: TFL.
- Varnish: T4260 (a) .

REV	DESCRIPTION	APPD	DATE

TOLERANCE	LEVEL	天长市富安电子有限公司 Tianchang Fuan Electronic Co.,Ltd			
.X	—	DWN:	Yuing.yu	TITLE: EFD15 Transformer	
.XX	±0.50	CHKD:	Benson.zhan	FuAn P/N: FAEFD15-4453	
.XXX	—	APPD:	Anson.zhan	Custorme P/N:	
		Sheet	File No.	Rev No.	Date
		1/1	1904093	1.0	Apr./29/2019

No.286 RenMin East Road,Renheji Town,Tianchang city,Anhui province,China  
 TEL: +86-550-7814888/7811988 FAX:+86-550-7831133  
 www.fuantronics.net