



贝特卫士®

更好的电路安全卫士!  
You build electronics, We safeguard them!

# 承 认 书

## APPROVAL SHEET

编 号 No.	
日期 Date	

客 户 Customer	
-----------------	--

品 名 Product	汽车保险丝
系 列 Series	718

料号 Part No.	规格描述 Specification	备注 Remark
贝特电子 Betterfuse		
客 户 Customer		

环保特别提示 Special instructions for environmental protection
本产品:

供应商-贝特电子 Supplier-Betterfuse	零件承认章 Approval Signet	客 户 Customer	零件承认章 Approval Signet
制 作 Make			
审 核 Check			
确 认 Approval			

联络 Contact			
业务 Sales	电话 Telephone	手机 Cellphone	邮箱 E-mail
零件承认后敬请回签一份给我司留存, 或将承认后的封面传真(0769-8352 1857)至我司, 谢谢!			

Document Record						
No.	Date	Modified Content	Page	Edition	Prepared/modified by	Checked by
1	2014.08.01	Initial		A/0	Jeffery	Gem Guo
2	2015.01.10	Update UR certification	7~8	A/1	Jeffery	Gem Guo
3	2015.08.04	Update UR certification		A/2	Jeffery	Gem Guo
4						
5						
6						
7						
8						
9						
10						
11						
12						

## TABLE OF CONTENTS

<b>1. SCOPE AND DESCRIPTION.....</b>	<b>3</b>
<b>2. GENERAL INFORMATION.....</b>	<b>3</b>
<b>3. AGENCY APPROVALS.....</b>	<b>3</b>
<b>4. PART NUMBERING SYSTEM.....</b>	<b>3</b>
<b>5. MECHANICAL CHARACTERISTICS.....</b>	<b>4</b>
<b>6. ELECTRICAL SPECIFICATIONS.....</b>	<b>5</b>
<b>7. ORDERING INFORMATION.....</b>	<b>7</b>
<b>8. PACKING INFORMATION.....</b>	<b>7</b>
<b>10. APPENDIX.....</b>	<b>8</b>

## 1. SCOPE AND DESCRIPTION



Following electronic product specifications apply to fuses of the 718 series. The 718 series is a Quick Acting type Mid Blade fuse for over-current protection.

Its main applications are for car.

## 2. GENERAL INFORMATION


### General Description

718 Quick Acting (F) Low breaking capacity fuse protection for the automotive industry. The 718 with a 32V DC rating and 1000A Ampere breaking capacity offers excellent assurance with its 100% cold Resistance, and length testing.

### Detailed Features

- 718 for the automotive industry,
- Low internal resistance.
- UL248 Special Purpose Fuses(5A – 40A).
- RoHS compliant and HF.

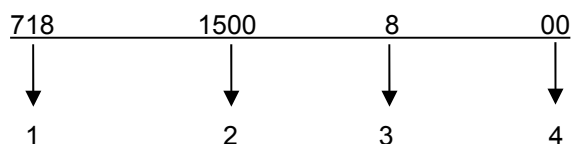
## 3. AGENCY APPROVALS

Agency	Agency File Number	Ampere/ Voltage Range
	E300003	1~40A / 32V DC

## 4. PART NUMBERING SYSTEM

### 4.1 Part Number

Example: 7181500800



1 .....	Product Series .....	718
2 .....	Ampere Rating/ Code .....	5A (see table 4.3 below)
3 .....	Voltage Raging .....	8 – 32V
4 .....	Packaging Code .....	(see table 4.2 below)

## 4.2 Packaging Code Table

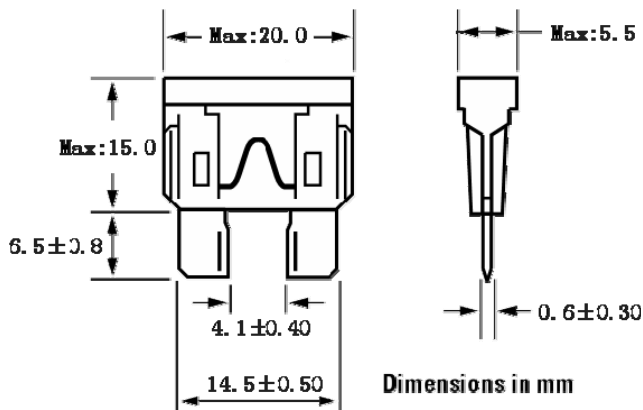
CODE	DESIGNATION
00	Bulk (1000PCS)

## 4.3. Ampere Rating Table

AMP CODE	CURRENT RATING	VOLTAGE RATING
1500	5.00A	32V
1750	7.50A	32V
2100	10.00A	32V
2150	15.00A	32V
2200	20.00A	32V
2250	25.00A	32V
2300	30.00A	32V
2350	35.00A	32V
2400	40.00A	32V

## 5. MECHANICAL CHARACTERISTICS

### Dimensions (units: mm)



### Operating Temperature:

-25°C to 85°C

### Storage Conditions:

+10°C to +60°C

Relative humidity: ≤ 75% yearly average  
without dew, maximum 30 days at 95%

### Vibration Resistance:

24 cycles at 15 min. each (60068-6)

10-60Hz at 0.75mm amplitude

60-2000Hz at 10g acceleration

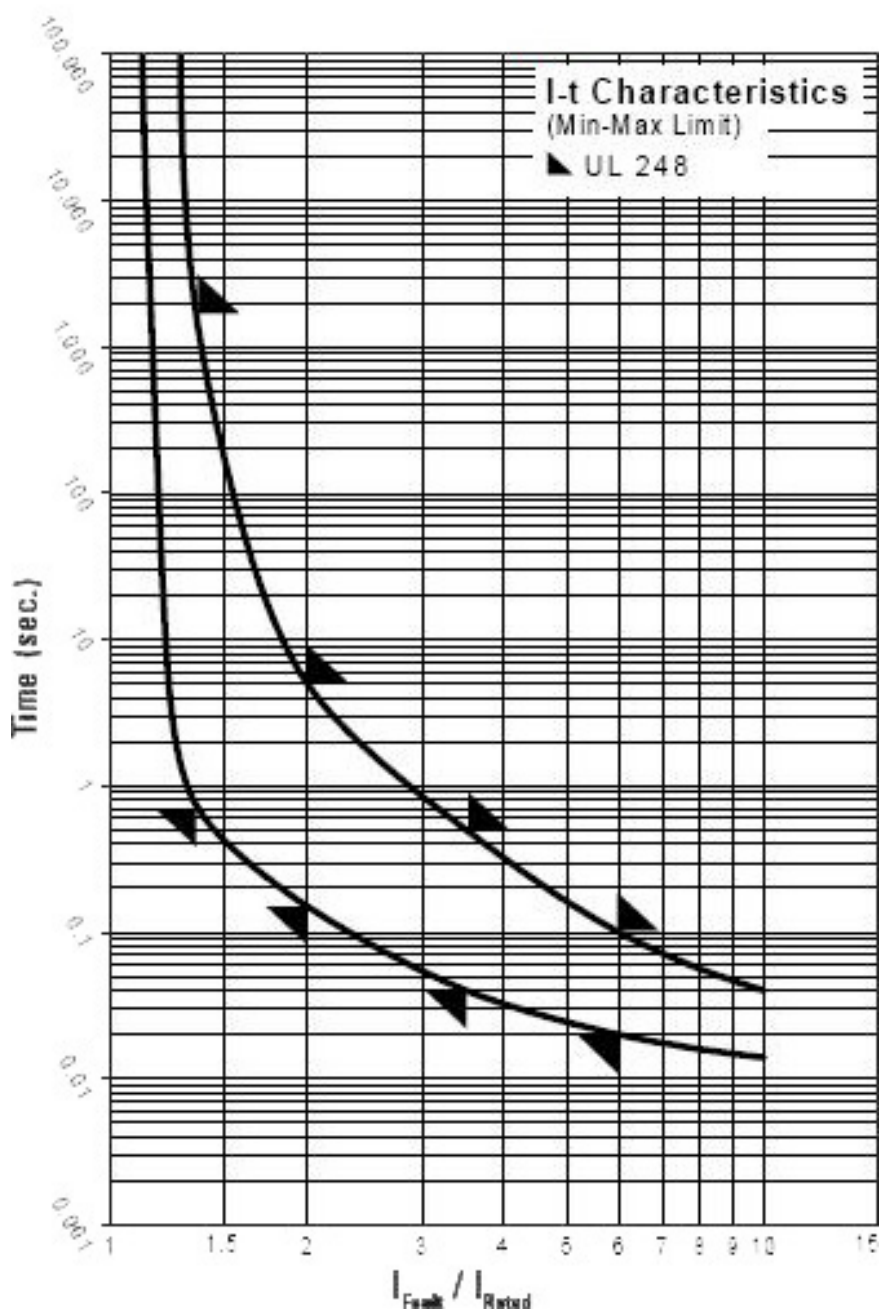
## 6. ELECTRICAL SPECIFICATIONS

### Time vs Current Characteristics Table

(measured with constant current power supply) (according to IEC 60127-3/ IV)

Rated Current	110%	135%	200%	350%	600%
5~40A	>100h	0.5~1800s	0.1~5s	20~500ms	<0.1s

### Fault/Rated Current Curves

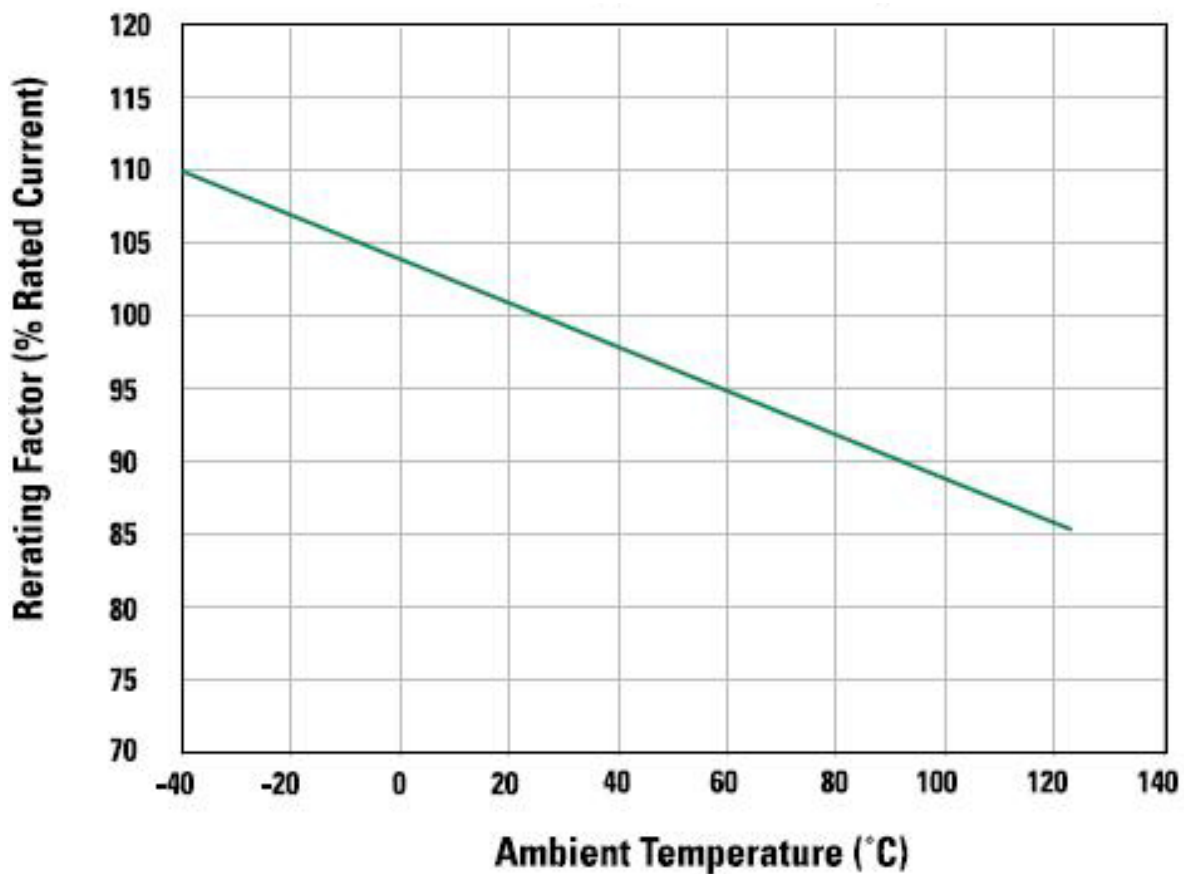


## Electrical characteristics

★ **NOTE:** The breaking capacity for 32V DC is 1000A.

Electrical Characteristics					
Amp Code	Rated Current	Body Color Code	Resistance (Ω)	Nominal Melting I <sup>2</sup> T(A <sup>2</sup> sec)	Approvals cURus 32V
1500	5.0A	Tan	0.018	26	●
1750	7.5A	Brown	0.011	60	●
2100	10.0A	Red	0.0077	115	●
2150	15.0A	Blue	0.0048	340	●
2200	20.0A	Yellow	0.0033	520	●
2250	25.0A	Natural	0.0025	1080	●
2300	30.0A	Green	0.0019	1510	●
2350	35.0A	Blue Green	0.0016	2280	●
2400	40.0A	Orange	0.0014	3310	●

## Temperature Rerating Curve



## 7. ORDERING INFORMATION

The following information are necessary in order to place your order with us correctly:

Series No.	Amp Code	Packaging Code	Quantity	Purchase Order No.
718				

© DongGuan Better Electronics Technology Co., Ltd.

东莞市贝特电子科技股份有限公司

Room 601 of 16 Block, Xinzhu Yuan, No.4. Xinzhu Road, Songshanlake Hightech Industrial Development Zone, Dongguan City, Guangdong P.R.C

中国广东省东莞市松山湖国家高新技术产业开发区新竹路4号新竹苑16座办公601

Tel: +86 769-2307 8212 Fax: +86 769-8352 1857

Web: [www.betterfuse.com](http://www.betterfuse.com)

Email: [info@betterfuse.com](mailto:info@betterfuse.com)

## 10. APPENDIX



ONLINE CERTIFICATIONS DIRECTORY

### JDYX2.E300003 Fuses, Supplemental - Component

[Page Bottom](#)

#### Fuses, Supplemental - Component

[See General Information for Fuses, Supplemental - Component](#)

**DONGGUAN BETTER ELECTRONICS TECHNOLOGY CO LTD**  
 RM 601 OF 16 BLK  
 XINZHUYUAN NO 4 XINZHU RD  
 SONGSHANLAKE HIGHTECH INDUSTRIAL DEVELOPMENT ZONE  
 DONGGUAN, GUANGDONG 523808 CHINA

E300003

#### Supplemental fuses

Cat. No.	Size mm(in)	Amps (A)	Volts (V)	Interrupting Rating (A)
<b>521</b>	5 x 20 (0.20 x 0.79)	0.315 - 10.0	125Vac	10000
		0.315 - 10.0	250Vac	100
<b>523</b>	5 x 20 (0.20 x 0.79)	0.5 - 10	125Vac	10000
		0.5 - 10	250Vac	1500
<b>524</b>	5 x 20 (0.20 x 0.79)	0.5 - 10	125Vac	10000
		0.5 - 10	250Vac	1500
		12 - 16	125Vac	10000
		12 - 16	250Vac	1500
		20 - 25	125Vac	400
		20 - 25	250Vac	200
<b>611</b>	6.35 x 32 (0.25 x 1.26)	12 - 20	125Vac	10000
		12 - 20	250Vac	200
<b>718</b>	20 x 5.5 x 21.5 (0.79 x 0.22 x 0.85)	1 - 40	32Vdc	1000

Marking: Company name and model designation.

[Last Updated](#) on 2015-07-17

[Questions?](#)

[Print this page](#)

[Terms of Use](#)

[Page Top](#)

◆ 2015 UL LLC

The appearance of a company's name or product in this database does not in itself assure that products so identified have been manufactured under UL's Follow-Up Service. Only those products bearing the UL Mark should be considered to be Certified and covered under UL's Follow-Up Service. Always look for the Mark on the product.

UL permits the reproduction of the material contained in the Online Certification Directory subject to the following conditions:  
 1. The Guide Information, Assemblies, Constructions, Designs, Systems, and/or Certifications (files) must be presented in their entirety and in a non-misleading manner, without any manipulation of the data (or drawings).  
 2. The statement "Reprinted from the Online Certifications Directory with permission from UL" must appear adjacent to the extracted material. In addition, the reprinted material must include a copyright notice in the following format: "© 2015 UL LLC".