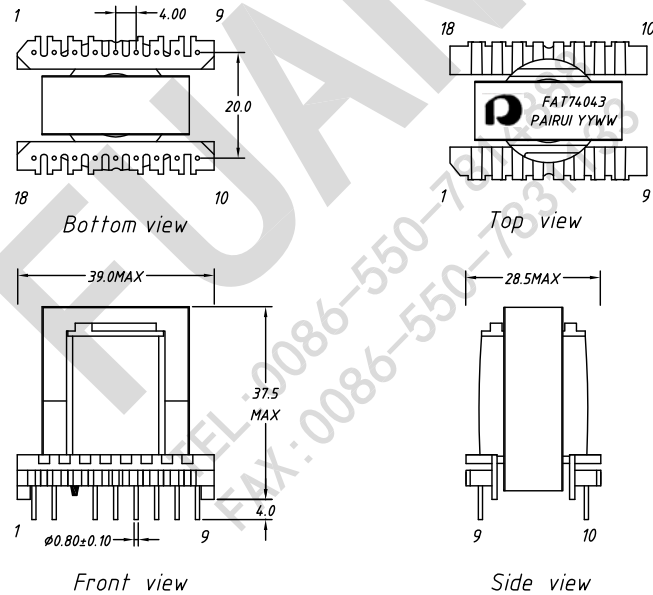


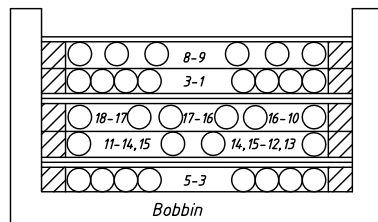
1. Mechanical Dimensions : (mm)



REMARK:
 1. Fixed core with 3ts tape.
 2. Pin3 cut off 1/2.

3. Winding Construction:

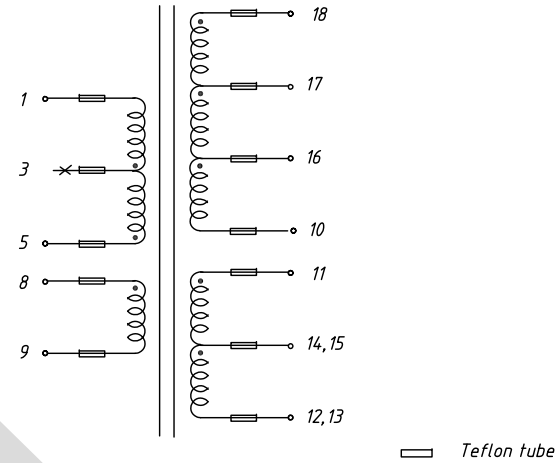
2.0mm Margins



Top side

Pins side

2. Coil structure and schematic



4. Electrical Specifications:

Inductance : L5-1 500 uH $\pm 10\%$ @1KHz 0.3V

Dc resistance:

| | | |
|-----------|---------------|-----|
| 5-1 | 150 milliohms | Max |
| 8-9 | 115 milliohms | Max |
| 10-18 | 185 milliohms | Max |
| 11,-12,13 | 8.0 millionms | Max |

Hi-Pot : Pri-Sec 4000VAC/5mA/2Second

Turns ratio:

$$(1-5):(8-9):(16-10):(17-16):(18-17):(11-14,15):(14,15-12,13) \\ = 1:0.156:0.089:0.156:0.29:0.02:0.04 \pm 2\%$$

Core: FUAN ER2834-P3

Wire: UEW-B.

Varnish: TYPE NO.:1032BOH E213437

Note : Temp 20°C 48% RH. RoHS compliant.

PROPRIETARY

Document is the property of FUAN Inc & is not allow to be duplicated without authorization

| | | | |
|---|--------------------------|-------------|----------------------------------|
| TEL: +86-550-7814888 Fax: +86-550-7831133 www.fuantronics.com | Model: ERL28 Transformer | | Customer P/N: |
| | PAIRUI P/N: FAT74043 | | DOCUMENT NO. /Rev.: 100903600/00 |
| Unless Otherwise Specified TOLERANCES: .X : ± 0.50 .XX : ± 0.25 Dimensions in mm | DWN . | Winnie xiao | DATE: Sep./25/2010 |
| | CHK . | Anson zhan | |
| | APP . | Louis Lin | |