

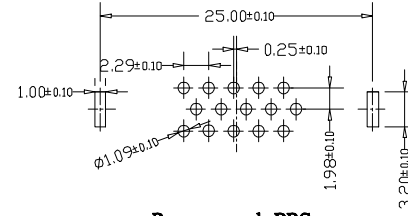
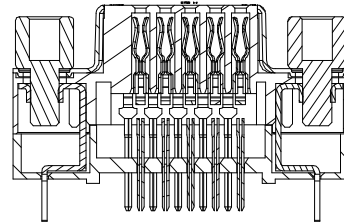
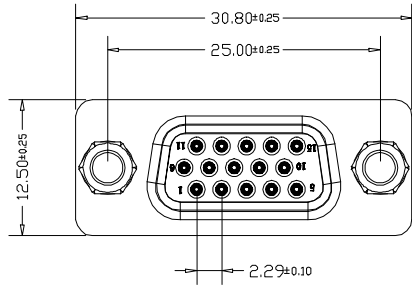
CUSTOMER COPY

P



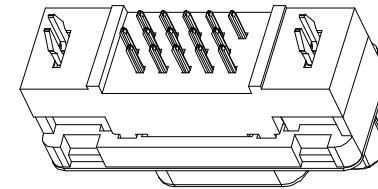
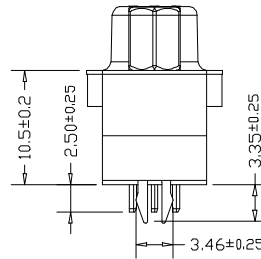
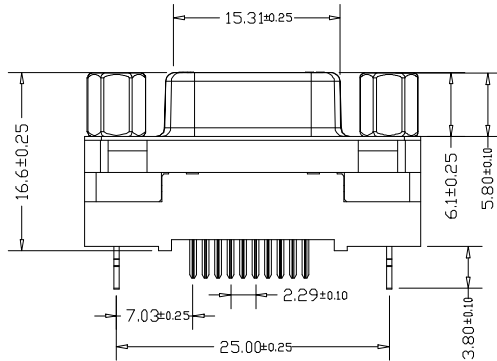
REVISION DATA

SYM	ECN	DESCRIPTION	DATE	APPROVED



Recommend PBC Hole Layout

备注: 1. 特性: 额定电压 : 250V  
 额定电流 : 5AMP  
 接触阻抗 : 30mΩ MAX.  
 绝缘阻抗 : 1000MΩ MIN. at 500V DC  
 耐电压值 : 500V AC RMS for 1Minute  
 温度范围 : -20C° ~ 85C°  
 2. 材料: 塑胶 : PBT  
 端子 : 青铜, 表面电镀锡  
 外壳 : SPCC, 表面镀镍  
 Z字片 : SPCC, 表面镀锡  
 螺丝 : SPCC 表面镀镍



<b>D</b>	<b>F</b>	<b>D</b>	<b>XX</b>	<b>--</b>	<b>X</b>	<b>X</b>	<b>X</b>	<b>--</b>	<b>13</b>
<b>Gender</b> M Male/Plug F Female /Receptacle	<b>Versions</b> D DIP Type S Soldering	<b>NO. of positions</b> 01-99 PIN	<b>Contact Plating</b> 1 Tin 2 Gold Flash	<b>Shell Plating</b> 1 Gold 2 Nickel 3 Stainless Steel S Special	<b>Housing Colour</b> 1 Black 2 Blue 3 Green 4 Yellow 5 White	<b>Slide NO</b> 01-99			

**natconn®** 广东纳特康电子股份有限公司  
 GUANGDONG NATCONN ELECTRONIC CO.,LTD

<b>Packing</b>	<b>TOLERANCE:</b>	<b>PROJECTION</b>	<b>TITLE:</b>
<b>1.General</b>	ANGLE ±2°	DATE 2019/11/5	VGA 15piii立式插座锁5.8MM螺丝
<b>2.Tape&amp;Reel</b>	X.XXX±0.0001	DRAWN 林英明	CUSTOMER: N/A
<b>3.Tube</b>	X.XX ±0.25	CHECKED	CUSTOMER.PIN: N/A
<b>4.Tray</b>	X.X ±0.35	APPROVED	PART NO.:
<b>5.Other</b>	X. ±0.50		DRAWING NO.: DFDXXXXX13
			REV: N/A
			REV: A
			SIZE: A4
			UNIT: mm
			SCALE: 1:1
			SHEET: 1/1