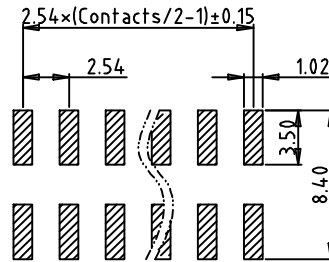
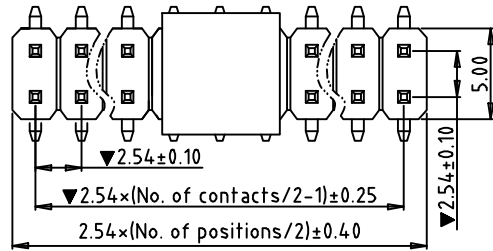


CUSTOMER COPY



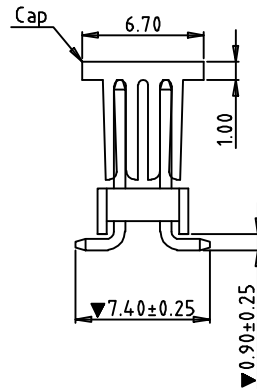
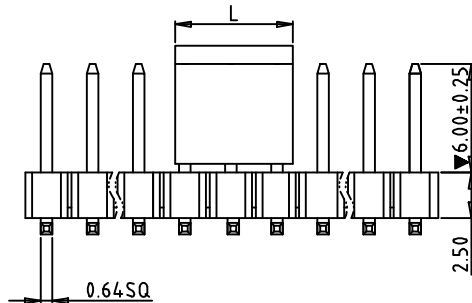
REVISION DATA				
SYM	ECN	DESCRIPTION	DATE	APPROVED



Recommended P.C.B
Layout(±0.05)

Technical Data
 Contact: brass C2700(Cuzn35)
 Contact plating: see ordering information
 Insulator: black glass filled polyester UL94V-0
 Current rating: 3Amps
 Contact resistance: 20mΩ max.
 Insulation resistance: 1000MΩ min. at 100V
 Withstanding Voltage: 550V AC/minute
 Retention force: 0.8Kgf/contact per layer min.
 Operating temperature: -55°C to +105°C
 Soldering temperature: 260°C±5° 5S
 Critical Dimensions:▼

No. of positions	dim. L
≥2×3P	6.50
2×2P	5.0



Ordering information

QHD2	25	1 - P	XX	X	X	C	158
High Option 2Z: H=2.50mm		No. of Positions 04-08	Plating Option A GF B Au20μ C Au30μ D Au10μ H QF8n120μ S Sn120μ Z Special (Underline option is standard)	Insulator Material Option F BK-LCP G BK-PA6T S Special (Underline option is standard)		Serial No. 01-000	

Packing	
1.General	
2.Tape&Reel	✓
3.Tube	✓
4.Tray	
5.Other	

natconn® 广东纳特康电子股份有限公司
GUANGDONG NATCONN ELECTRONIC CO.,LTD

TOLERANCE:	PROJECTION	TITLE: Pitch2.54*H2.50mm Pin Header Dual Row SMT Type		
ANGLE ±2°	DATE	2019/04/12	CUSTOMER: N/A	
X.XXX ±0.05	DRAWN	张伟	CUSTOMER P/N:	N/A
X.XX ±0.20	CHECKED		PART NO.:	QHD2251PC158
X.X ±0.30	APPROVED		DRAWING NO.:	QHD2251PC158
X. ±0.50			SIZE: A4	UNIT: mm
			SCALE: 3:1	SHEET: 1/1