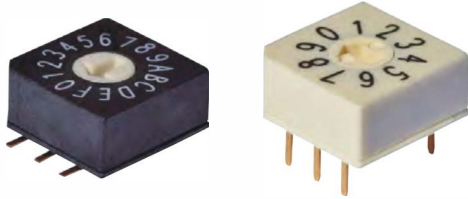


ROTARY DIP SWITCH

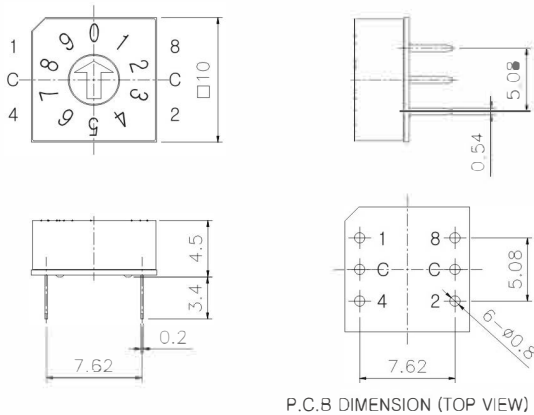


SPECIFICATIONS

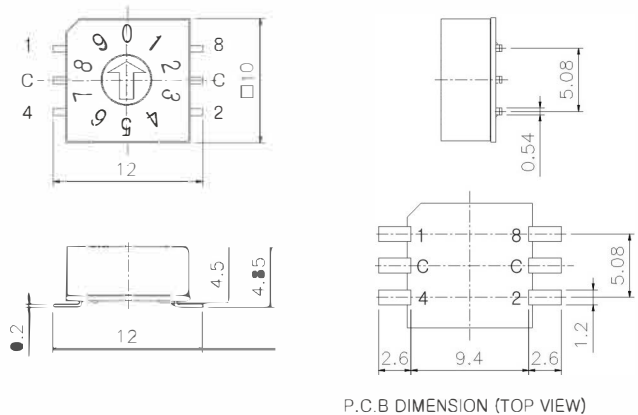
1. Rating : 25mA, 12V DC (Switching)
25mA, 24V DC (None-Switching)
2. Contact Resistance : 100mΩ Max.
3. Insulation Resistance : 100MΩ Min at DC 250V
4. Operating Force : 700gf Max.
5. Life Cycle : 10,000 steps
6. Sealing : IP67 (Dust & Water proof)

GENERAL DIMENSIONS

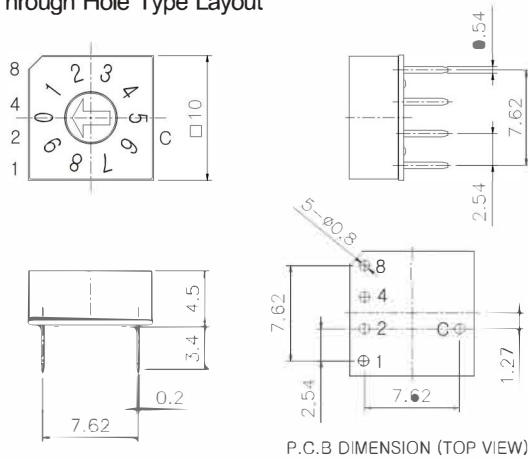
Through Hole Type Layout



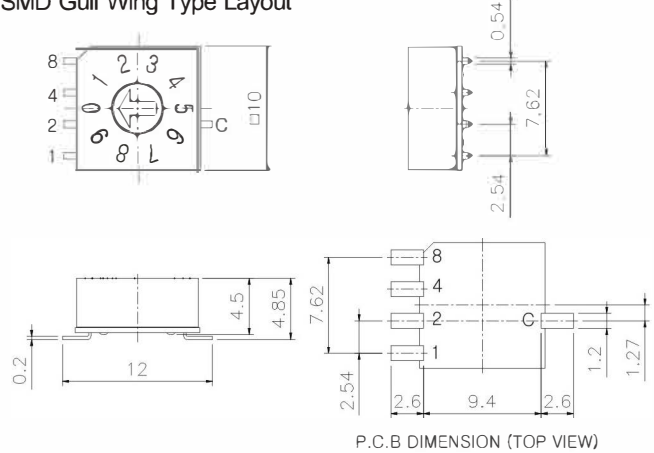
SMD Gull Wing Type Layout



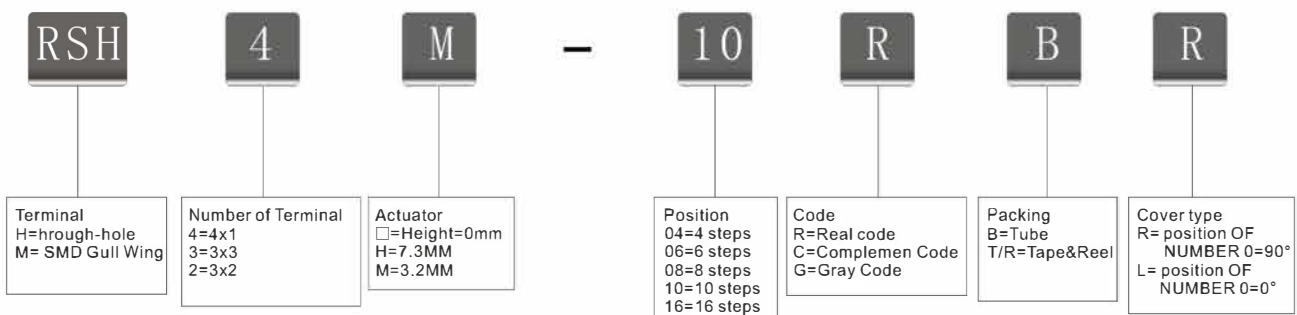
Through Hole Type Layout



SMD Gull Wing Type Layout



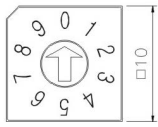
HOW TO ORDER



ROTARY DIP SWITCH

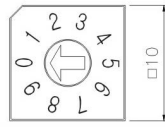
1. Cover Type

L Type



L Type
Position of printed No.0 (0°)

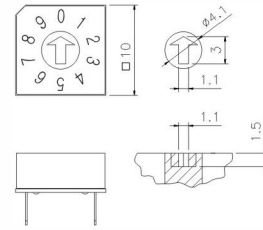
A Type



A Type
Position of printed NO.0 (-90°)

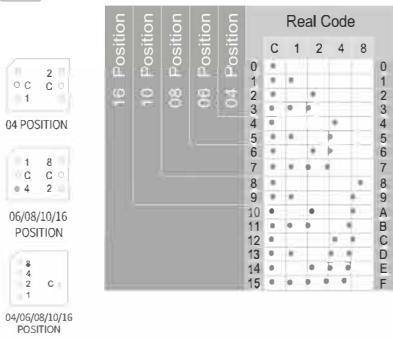
2. Actuator

Arrow
(Height = 0mm)

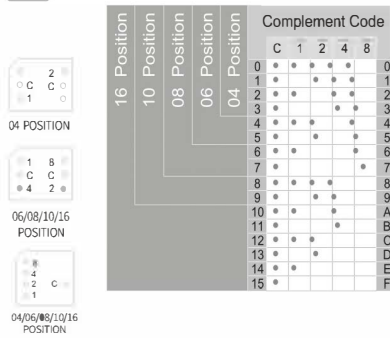


3. Code & Position

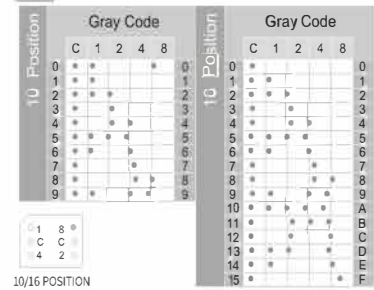
R Real Code



C Complement Code



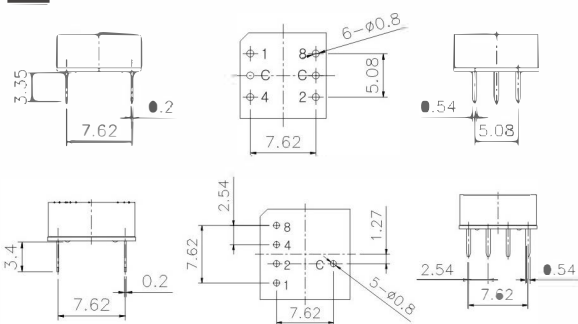
G Gray Code



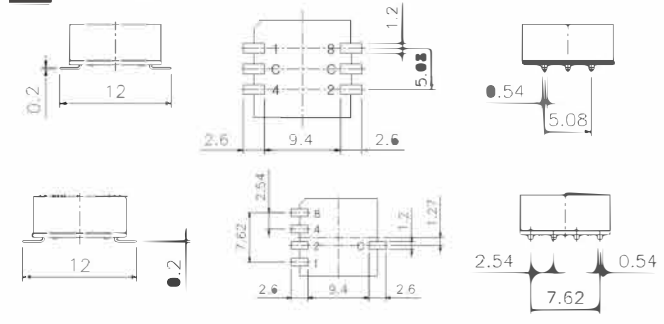
* See page 25 for special codes.

4. Terminal

H Through-Hole (Ter' 3x3)



M SMD Type (Ter' 3x3)



5. Packing

B Tube Packing (Q'ty: 50Pcs/Tube)

